

MicroLogix 1000 Programmable Controllers

Catalog Numbers 1761-L10BWA, -L10BWB, -L10BWB, -L10BWB, -L16AWA, -L16BWA, -L16BWB, -L16BBB, -L16NWA, -L16NWB, -L20AWA-5A, -L20BWA-5A, -L20BWB-5A, -L32AAA, -L32AWA, -L32BWA, -L32BWB, -L32BBB

Topic	Page
Important User Information	4
Overview	5
Catalog Number Detail	5
Related Publications	6
Safety Considerations	7
Physical Dimensions	9
Mounting Your Controller Horizontally	10
Wiring Your Controller	13
Grounding Your Controller	15
Surge Suppression	16
Sinking and Sourcing	19
Wiring Your Analog Channels	20
Specifications	21

Important User Information

Because of the variety of uses for the products described in this publication, those responsible for the application and use of these products must satisfy themselves that all necessary steps have been taken to assure that each application and use meets all performance and safety requirements, including any applicable laws, regulations, codes and standards. In no event will Allen-Bradley be responsible or liable for indirect or consequential damage resulting from the use or application of these products.

Any illustrations, charts, sample programs, and layout examples shown in this publication are intended solely for purposes of example. Since there are many variables and requirements associated with any particular installation, Allen-Bradley does not assume responsibility or liability (to include intellectual property liability) for actual use based upon the examples shown in this publication.

Allen-Bradley publication SGI-1.1, *Safety Guidelines for the Application, Installation and Maintenance of Solid-State Control* (available from your local Allen-Bradley office), describes some important differences between solid-state equipment and electromechanical devices that should be taken into consideration when applying products such as those described in this publication.

Reproduction of the contents of this copyrighted publication, in whole or part, without written permission of Rockwell Automation, is prohibited.

Throughout this publication, notes may be used to make you aware of safety considerations. The following annotations and their accompanying statements help you to identify a potential hazard, avoid a potential hazard, and recognize the consequences of a potential hazard:

WARNING



Identifies information about practices or circumstances that can cause an explosion in a hazardous environment, which may lead to personal injury or death, property damage, or economic loss.

ATTENTION



Identifies information about practices or circumstances that can lead to personal injury or death, property damage, or economic loss.

IMPORTANT

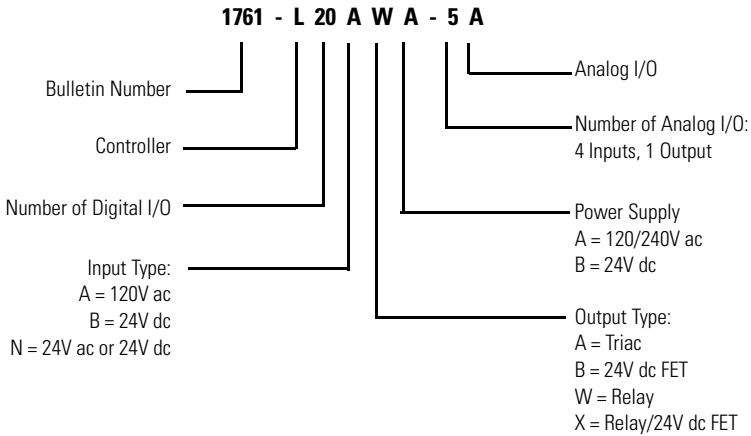
Identifies information that is critical for successful application and understanding of the product.

Overview

Install your controller using these installation instructions. The only tools you require are a Flat head or Phillips head screwdriver and drill.

Catalog Number Detail

The catalog number for the controller is composed of the following:



For More Information

Related Publications

For	Refer to this Document	Pub. No.
A description on how to use your MicroLogix 1000 programmable controllers. This manual also contains status file data and instruction set information.	MicroLogix 1000 Programmable Controllers User Manual	1761-6.3
A procedural manual for technical personnel who use the Allen-Bradley Hand-Held Programmer (HHP) to monitor and develop control logic programs for the MicroLogix 1000 controller.	MicroLogix 1000 with Hand-Held Programmer (HHP) User Manual	1761-6.2
More information on proper wiring and grounding techniques.	Industrial Automation Wiring and Grounding Guidelines	1770-4.1
The procedures necessary to install and connect the AIC+ and DNI.	Advanced Interface Converter (AIC+) and DeviceNet Interface (DNI) Installation Instructions	1761-5.11
A more detailed description on how to install and use your AIC+ Advanced Interface Converter.	AIC+ Advanced Interface Converter User Manual	1761-6.4
A more detailed description on how to install and use your DeviceNet Interface.	DeviceNet Interface User Manual	1761-6.5
A more detailed description on how to install and use your Ethernet Interface.	Ethernet Interface User Manual	1761-UM006

If you would like a manual, you can:

- download a free electronic version from the internet:
<http://literature.rockwellautomation.com>
- purchase a printed manual by contacting your local Allen-Bradley distributor or Rockwell Automation representative

Safety Considerations

This equipment is suitable for use in Class I, Division 2, Groups A, B, C, D or non-hazardous locations only (when product or packing is marked).

WARNING



Explosion Hazard:

- Substitution of components may impair suitability for Class I, Division 2.
- Do not replace components or disconnect equipment unless power has been switched off and the area is known to be non-hazardous.
- Do not connect or disconnect connectors while circuit is live unless area is known to be non-hazardous.
- This product must be installed in an enclosure. All cables connected to the product must remain in the enclosure or be protected by conduit or other means.
- The interior of the enclosure must be accessible only by the use of a tool.
- For applicable equipment (for example, relay modules), exposure to some chemicals may degrade the sealing properties of the materials used in these devices:
 - Relays, epoxy

It is recommended that you periodically inspect these devices for any degradation of properties and replace the module if degradation is found.

Use only the following communication cables in Class I, Division 2, Hazardous Locations.

Environment Classification	Communication Cable
Class I, Division 2, Hazardous Environment	1761-CBL-PM02 Series C
	1761-CBL-HM02 Series C
	1761-CBL-AM00 Series C
	1761-CBL-AP00 Series C
	1761-CBL-PH02 Series A
	1761-CBL-AH02 Series A
	2707-NC8 Series B
	2707-NC9 Series B
	2707-NC10 Series B
	2707-NC11 Series B

Sécurité

Cet équipement est conçu pour être utilisé dans des environnements de Classe 1, Division 2, Groupes A, B, C, D ou non dangereux (si indiqué sur le produit ou l'emballage).

AVERTISSEMENT



Danger d'explosion :

- La substitution de composants peut rendre cet équipement impropre à une utilisation en environnement de Classe 1, Division 2.
- Ne pas remplacer de composants ou déconnecter l'équipement sans s'être assuré que l'alimentation est coupée et que l'environnement est classé non dangereux.
- Ne pas connecter ou déconnecter les connecteurs lorsque le circuit est alimenté, à moins que l'environnement ne soit classé non dangereux.
- Ce produit doit être installé dans un boîtier. Tous les câbles qui lui sont connectés doivent rester dans le boîtier ou être protégés.

N'utiliser que les câbles de communication suivants dans des environnements dangereux de Classe 1, Division 2.

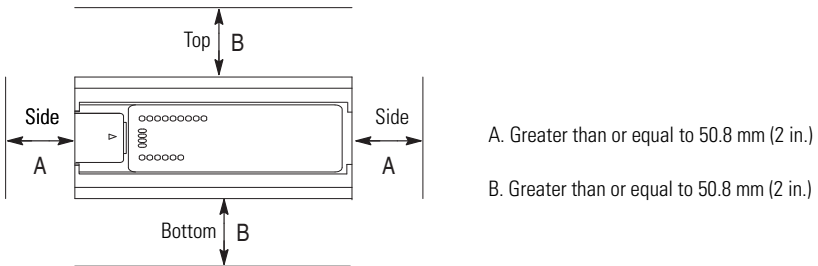
Classification d'environnement	Câble de communication
Environnement dangereux Classe 1, Division 2	1761-CBL-PM02 Série C
	1761-CBL-HM02 Série C
	1761-CBL-AM00 Série C
	1761-CBL-AP00 Série C
	1761-CBL-PH02 Série A
	1761-CBL-AH02 Série A
	2707-NC8 Série B
	2707-NC9 Série B
	2707-NC10 Série B
	2707-NC11 Série B

Physical Dimensions

Controller: 1761-	Length: mm (in.)	Depth: mm (in.)	Height: mm (in.)
L10BWA	120 (4.72)	73 (2.87)	80 (3.15)
L16BWA			
L16NWA			
L16AWA	133 (5.24)		
L20AWA-5A	200 (7.87)		
L20BWA-5A			
L32AWA			
L32BWA			
L32AAA			
L10BWB	120 (4.72)	40 (1.57)	
L10BWB			
L10BWB			
L16BBB	200 (7.87)		
L16BWB			
L16NWB			
L20BWB-5A			
L32BBB			
L32BWB			

Controller Spacing

The following figure shows the recommended *minimum* spacing for the controller.



Note: The controller is shown horizontally mounted.

Mounting Your Controller Horizontally

The controller should be mounted horizontally within an enclosure using either the DIN rail or mounting screw option. Use the mounting template from the front of this document to help you space and mount the controller properly.

ATTENTION

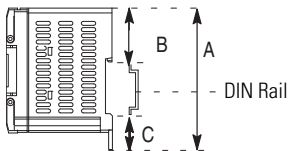
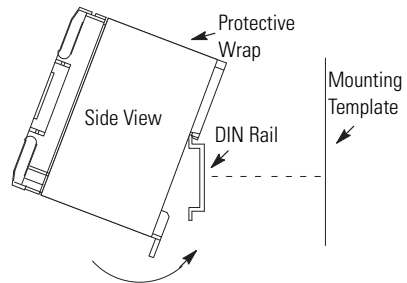


Be careful of metal chips when drilling mounting holes for your controller. Drilled fragments that fall into the controller could cause damage. Do not drill holes above a mounted controller if the protective wrap is removed.

Using a DIN Rail

To install your controller on the DIN rail:

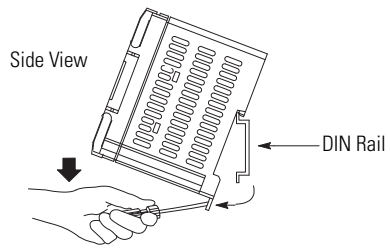
1. Mount your DIN rail. (Make sure that the placement of the controller on the DIN rail meets the recommended spacing requirements. Refer to the mounting template from the back of this document.)
2. Hook the top slot over the DIN rail.
3. While pressing the controller against the rail, snap the controller into position.
4. Leave the protective wrap attached until you are finished wiring the controller.



Call-out	Dimension
A	84 mm (3.3 in.)
B	33 mm (1.3 in.) maximum
C	16 mm (0.63 in.)

To remove your controller from the DIN rail:

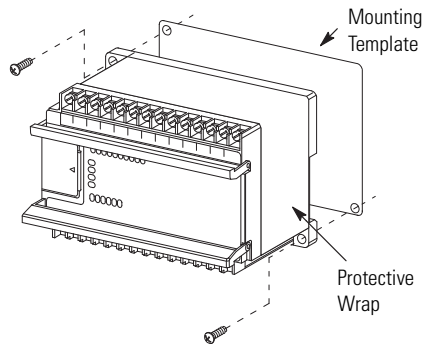
1. Place a screwdriver in the DIN rail latch at the bottom of the controller.
2. Holding the controller, pry downward on the latch until the controller is released from the DIN rail.



Using Mounting Screws

To install your controller using mounting screws:

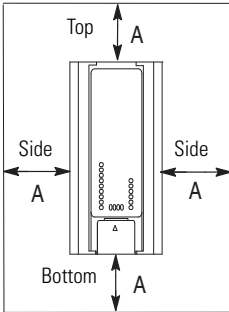
1. Remove the mounting template from the back of this document.
2. Secure the template to the mounting surface. (Make sure your controller is spaced properly.)
3. Drill holes through the template.
4. Remove the mounting template.
5. Mount the controller.
6. Leave the protective wrap attached until you are finished wiring the controller.



Mounting Your Controller Vertically

Your controller can also be mounted vertically within an enclosure using mounting screws or a DIN rail. To insure the stability of your controller, we recommend using mounting screws. For additional information, refer to the previous section.

To insure the controller's reliability, the following environmental specifications must not be exceeded.



A. Greater than or equal to 50.8 mm (2 in.).

Description:	Specification:
Operating Temperature	0°C to +40°C (+32°F to +113°F) ⁽¹⁾
Operating Shock (Panel mounted)	9.0g peak acceleration (11 ± 1 ms duration) 3 times each direction, each axis
Operating Shock (DIN rail mounted)	7.0g peak acceleration (11 ± 1 ms duration) 3 times each direction, each axis

⁽¹⁾ DC input voltage derated linearly from +30°C (30V to 26.4V).

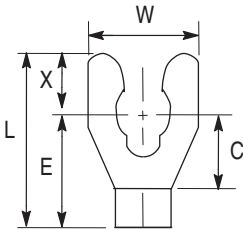
Note: When mounting your controller vertically, the nameplate should be facing downward.

Wiring Your Controller

Wire Type:	Wire Size: (2 wire maximum per terminal screw)
Solid	#14 to #22 AWG
Stranded	#16 to #22 AWG

IMPORTANT

The diameter of the terminal screw head is 5.5 mm (0.220 in.). The input and output terminals of the MicroLogix 1000 controller are designed for the following spade lugs:

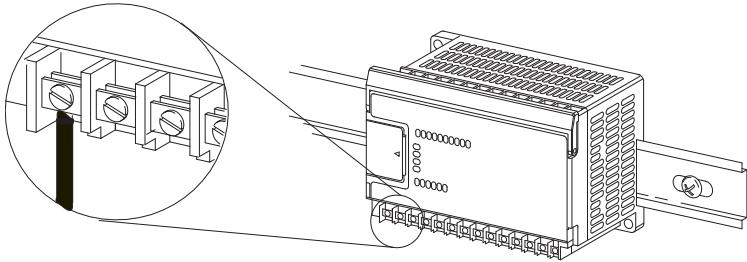


Call-out	Dimension
C	6.35 mm (0.250 in.)
E	10.95 mm (0.431 in.) maximum
L	14.63 mm (0.576 in.)
W	6.35 (0.250 in.)
X	3.56 mm (0.140 in.)
C + X	9.91 mm (0.390 in.) maximum

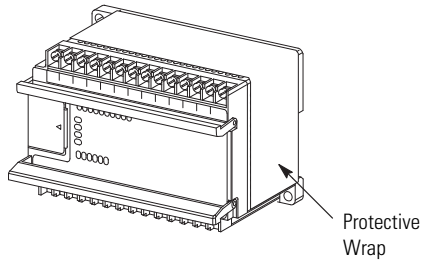
We recommend using either of these AMP (or equal) spade lugs: part number 53120-1, if using 22-16 AWG, or part number 53123-1, if using 16-14 AWG.

IMPORTANT

If you use wires without lugs, make sure the wires are securely captured by the pressure plate. This is particularly important at the four end terminal positions where the pressure plate does not touch the outside wall of the controller.

**IMPORTANT**

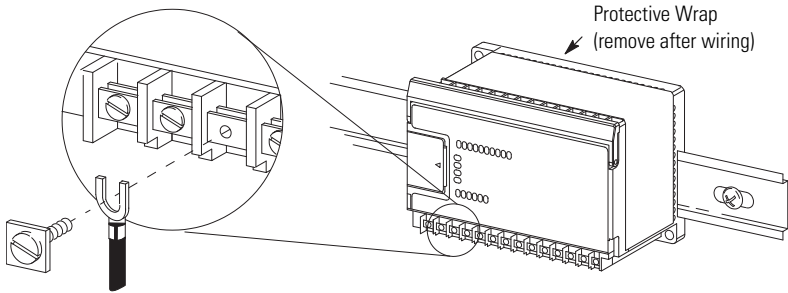
Be careful when stripping wires. Wire fragments that fall into the controller could cause damage. Remove the protective wrap *after* wiring your controller. Failure to remove the wrap may cause the controller to overheat.

**IMPORTANT**

This symbol denotes a functional earth ground terminal which provides a low impedance path between electrical circuits and earth for non-safety purposes, such as noise immunity improvement.

Grounding Your Controller

In solid-state control systems, grounding helps limit the effects of noise due to electromagnetic interference (EMI). Run the ground connection from the ground screw of the controller (third screw from left on output terminal rung) to the ground bus. Use the heaviest wire gauge listed for wiring your controller.



ATTENTION



All devices connected to the user 24V power supply or to the RS-232 channel must be referenced to chassis ground or floating. Failure to follow this procedure may result in property damage or personal injury.

Chassis ground, user 24V ground, and the RS-232 ground are internally connected. You must connect the chassis ground terminal screw to chassis ground prior to connecting any devices.

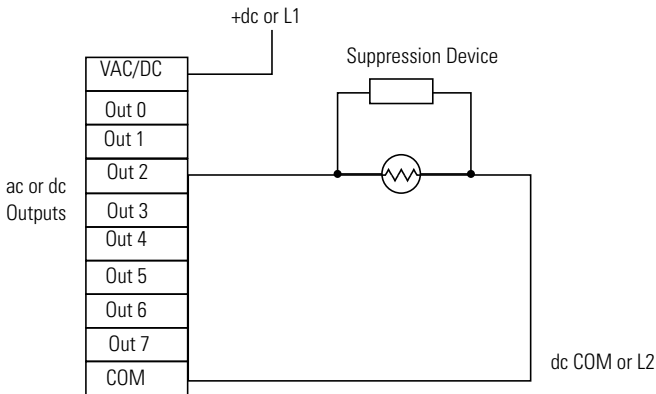
On the 1761-L10BWB, -L10BXB, -L16BWB, -L16BBB, -L16NWB, -L20BWB-5A, -L32BBB, and -L32BWB controllers, the ground associated with the user supplied 24V DC input power and chassis ground are internally connected.

You must also provide an acceptable grounding path for each device in your application. For more information on proper grounding guidelines, see the *Industrial Automation Wiring and Grounding Guidelines*, (publication 1770-4.1).

Surge Suppression

Inductive load devices such as motor starters and solenoids require the use of some type of surge suppression to protect the controller output contacts. Switching inductive loads without surge suppression can *significantly* reduce the life expectancy of relay contacts. By adding a suppression device directly across the coil of inductive devices, you prolong the life of the output circuits. You also reduce the effects of radiated voltage transients and prevent electrical noise from radiating into system wiring and facility.

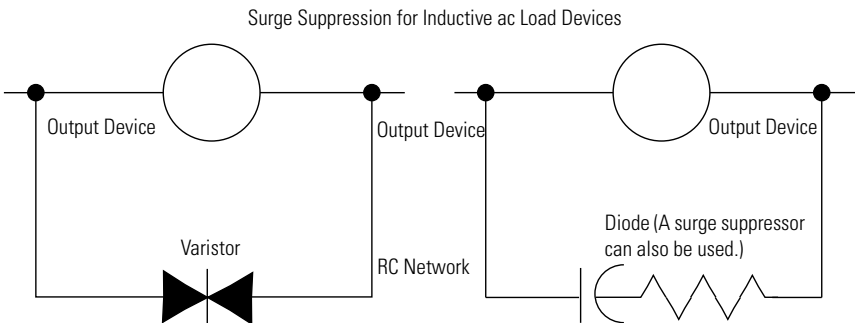
The following diagram shows an output with a suppression device. We recommend that you locate the suppression device as close as possible to the load device.



If you connect a micro controller FET output to an inductive load, we recommend that you use an 1N4004 diode for surge suppression, as shown in the illustration on page 17.

Suitable surge suppression methods for inductive load devices include a varistor, an RC network, or, for dc loads, a diode. These components must be appropriately rated to suppress the switching transient characteristic of the particular inductive device. See the table on page 18 for recommended suppressors.

As the following diagram illustrates, these surge suppression circuits connect directly across the load device. This reduces arcing and damage of the output contacts. (High transients can cause arcing that occurs when switching off an inductive device.)



If you connect a micro controller triac output to control an inductive load, we recommend that you use varistors to suppress noise. Choose a varistor that is appropriate for the application. The suppressors we recommend for triac outputs when switching 120V ac inductive loads are a Harris MOV, part number V175 LA10A, or an Allen-Bradley MOV, catalog number 599-K04 or 599-KA04. Consult the varistor manufacturer's data sheet when selecting a varistor for your application.

For inductive dc load devices, a diode is suitable. A 1N4004 diode is acceptable for most applications. A surge suppressor can also be used. See the table on page 18 for recommended suppressors.

Recommended Surge Suppressors

We recommend the Allen-Bradley surge suppressors shown in the following table for use with Allen-Bradley relays, contactors, and starters.

Device	Coil Voltage	Suppressor Catalog Number
Bulletin 509 Motor Starter	120V ac	599-K04 ⁽¹⁾
Bulletin 509 Motor Starter	240V ac	599-KA04 ⁽¹⁾
Bulletin 100 Contactor	120V ac	199-FSMA1 ⁽²⁾
Bulletin 100 Contactor	240V ac	199-FSMA2 ⁽²⁾
Bulletin 709 Motor Starter	120V ac	1401-N10
Bulletin 700 Type R, RM Relays	ac coil	None Required
Bulletin 700 Type R Relay	12V dc	199-FSMA9
Bulletin 700 Type RM Relay	12V dc	
Bulletin 700 Type R Relay	24V dc	199-FSMA9
Bulletin 700 Type RM Relay	24V dc	
Bulletin 700 Type R Relay	48V dc	199-FSMA9
Bulletin 700 Type RM Relay	48V dc	
Bulletin 700 Type R Relay	115-125V dc	199-FSMA10
Bulletin 700 Type RM Relay	115-125V dc	
Bulletin 700 Type R Relay	230-250V dc	199-FSMA11
Bulletin 700 Type RM Relay	230-250V dc	
Bulletin 700 Type N, P, or PK Relay	150V max, ac or DC	700-N24 ⁽²⁾
Miscellaneous electromagnetic devices limited to 35 sealed VA	150V max, ac or DC	700-N24 ⁽²⁾

⁽¹⁾ Varistor – Not recommended for use on relay outputs.

⁽²⁾ RC Type – Do not use with triac outputs.

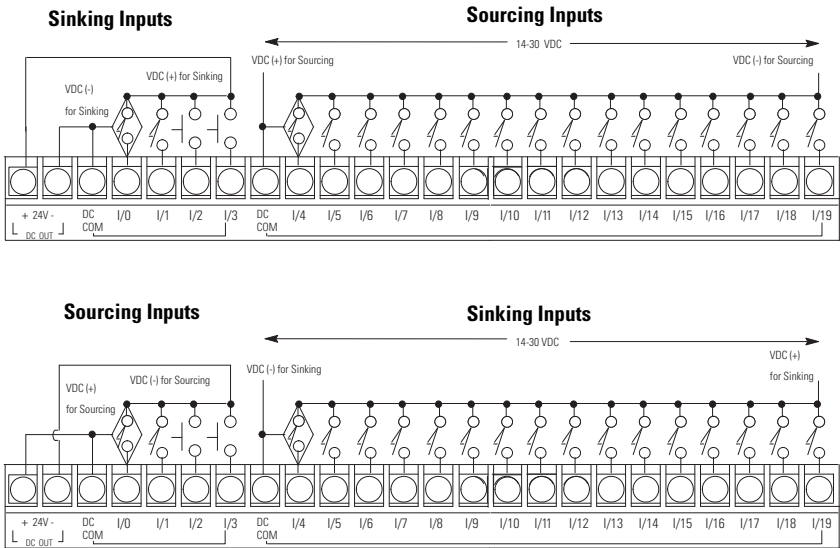
Sinking and Sourcing

Any MicroLogix 1000 DC input can be configured as sinking or sourcing depending on how the DC COM terminal is wired.

Mode:	Definition:
Sinking	The input energizes when high-level voltage is applied to the input terminal (active high). Connect the power supply VDC (-) to the corresponding DC COM terminal.
Sourcing	The input energizes when low-level voltage is applied to the input terminal (active low). Connect the power supply VDC (+) to the corresponding DC COM terminal.

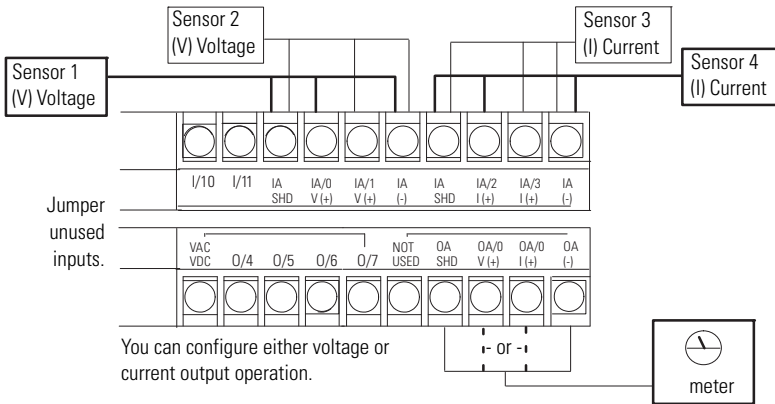
Sinking and Sourcing Wiring Examples

Figure 1 1761-L32BWA

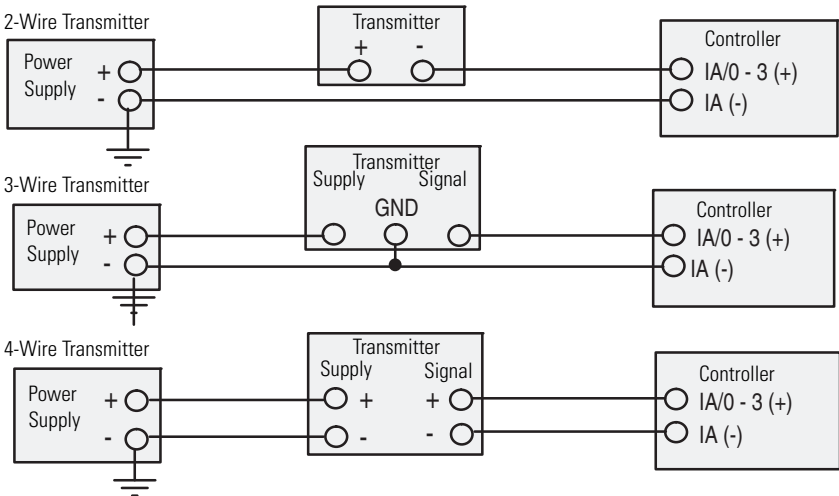


Wiring Your Analog Channels

Analog input circuits can monitor current *and* voltage signals and convert them to serial digital data. The analog output can support either a voltage *or* a current function as shown in the following illustration.



The controller does not provide loop power for analog inputs. Use a power supply that matches the transmitter specifications as shown below.



Minimizing Electrical Noise on Analog Controllers

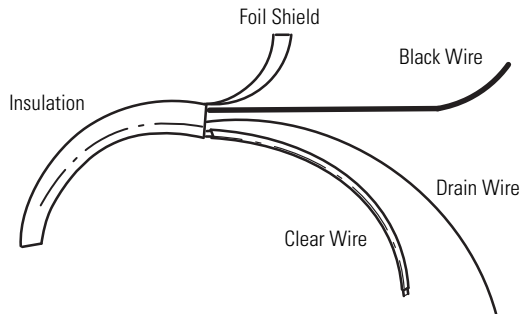
Inputs on analog controllers employ digital high-frequency filters that significantly reduce the effects of electrical noise on input signals. However, because of the variety of applications and environments where analog controllers are installed and operated, it is impossible to ensure that all environmental noise will be removed by the input filters.

Several specific steps can be taken to help reduce the effects of environmental noise on analog signals:

- install the MicroLogix 1000 system in a properly rated (i.e., NEMA) enclosure. Make sure that the MicroLogix 1000 system is properly grounded.
- use Belden cable #8761 for wiring the analog channels, making sure that the drain wire and foil shield are properly earth grounded.
- route the Belden cable separate from any ac wiring. Additional noise immunity can be obtained by routing the cables in grounded conduit.

Grounding Your Analog Cable

Use shielded communication cable (Belden #8761). The Belden cable has two signal wires (black and clear), one drain wire, and a foil shield. The drain wire and foil shield must be grounded at one end of the cable. *Do not* ground the drain wire and foil shield at *both* ends of the cable.



Specifications

Environmental Specifications (all MicroLogix controllers)

Description	Specification
Operating Temperature	0°C to +55°C (+32°F to +131°F) for horizontal mounting
	0°C to +40°C (+32°F to +104°F) for vertical mounting ⁽¹⁾

Description	Specification
Storage Temperature	-40°C to +85°C (-40°F to +185°F)
Operating Humidity	5 to 95% non-condensing
Agency Certification (when product or packaging is marked)	<ul style="list-style-type: none"> • C-UL Class I, Division 2 Groups A,B,C,D certified • UL listed (Class I, Division 2 Groups A,B,C,D certified) • CE/RCM/EAC compliant for all applicable directives

⁽¹⁾ DC input voltage derated linearly from +30°C (30V to 26.4V).

General Specifications

Description:	Specification: 1761-L								
	16AWA	32AWA	10BWA	16BWA 16NWA	32BWA	32AAA	10BXB 16BBB	10BWB 16BWB 16NWB	32BWB 32BBB
Memory Size and Type	1 K EEPROM (approximately 737 instruction words: 437 data words)								
Power Supply Voltage	85-264V ac, 47-63 Hz						20.4-26.4V dc		
Power Supply Usage	120V ac	15 VA	19 VA	24 VA	26 VA	29 VA	16 VA	Not Applicable	
	240V ac	21 VA	25 VA	32 VA	33 VA	36 VA	22 VA		
	24V dc	Not Applicable						5W	7W
Power Supply Max Inrush Current	30A for 8 ms						30A for 4 ms		
24V dc Sensor Power (V dc at mA)	Not Applicable		200 mA			Not Applicable			
Max Capacitive Load (User 24V dc)			200 µF						
Power Cycles	50,000 minimum								
Vibration	Operating: 5 Hz to 2k Hz, 0.381 mm (0.015 in.) peak to peak/2.5g panel mounted, ⁽¹⁾ 1hr per axis Non-operating: 5 Hz to 2k Hz, 0.762 mm (0.030 in.) peak to peak/5g, 1hr per axis								
Shock ⁽²⁾	Operating: 10g peak acceleration (7.5g DIN rail mounted) ⁽³⁾ (11±1 ms duration) 3 times each direction, each axis Non-operating: 20g peak acceleration (11±1 ms duration), 3 times each direction, each axis								
Terminal Screw Torque	0.9 N-m maximum (8.0 in.-lbs)								
Electrostatic Discharge	EN 61000-2 at 8K V								

Description:	Specification: 1761-L								
	16AWA	32AWA	10BWA	16BWA 16NWA	32BWA	32AAA	10BXB 16BBB	10BWB 16BWB 16NWB	32BWB 32BBB
Radiated Susceptibility	EN 61000-3 at 10 V/m, 27 MHz - 1000 MHz; 3V/m, 87 MHz - 108 MHz, 174 MHz - 230 MHz, and 470 MHz - 790 MHz								
Fast Transient	EN 61000-4 at 2K V Power Supply, I/O; 1K V Comms								
Isolation	1500V ac								

(1) DIN rail mounted controller is 1g.

(2) Refer to page 12 for vertical mounting specifications.

(3) Relays are derated an additional 2.5g on 32 pt. controllers.

Analog General Specifications

Description:	Specification: 1761-L		
	20AWA-5A	20BWA-5A	20BWB-5A
Memory Size and Type	1 K EEPROM (approximately 737 instruction words: 437 data words)		
Power Supply Voltage	85-264V ac, 47-63 Hz		20.4-26.4V dc
Power Supply Usage	120V ac	20 VA	30 VA
	240V ac	27 VA	38 VA
	24V dc	Not Applicable	
24V dc Sensor Power (V dc at mA)	Not Applicable	200 mA	Not Applicable
Max Capacitive Load (User 24V dc)			200 μ F
Power Cycles	50,000 minimum		
Vibration	Operating: 5 Hz to 2k Hz, 0.381 mm (0.015 in.) peak to peak/2.5g panel mounted, ⁽¹⁾ 1hr per axis Non-operating: 5 Hz to 2k Hz, 0.762 mm (0.030 in.) peak to peak/5g, 1hr per axis		
Shock ⁽²⁾	Operating: 10g peak acceleration (7.5g DIN rail mounted) ⁽³⁾ (11 \pm 1 ms duration) 3 times each direction, each axis Non-operating: 20g peak acceleration (11 \pm 1 ms duration), 3 times each direction, each axis		
Terminal Screw Torque	0.9 N-m maximum (8.0 in.-lbs)		
Electrostatic Discharge	EN 61000-2 at 8K V Discrete I/O 4K V Contact, 8K V Air for Analog I/O		
Radiated Susceptibility	EN 61000-3 at 10 V/m, 27 MHz - 1000 MHz 3 V/m, 87 MHz - 108 MHz, 174 MHz - 230 MHz, and 470 MHz - 790 MHz		
Fast Transient	EN 61000-4 at 2K V Power Supply, I/O; 1K V Comms		
Isolation	1500V ac		

(1) DIN rail mounted controller is 1g.

(2) Refer to page 12 for vertical mounting specifications.

⁽³⁾ Relays are derated an additional 2.5g on 20 pt. controllers.

General Input Specifications

Description	Specification	
	100-120V ac Controllers	24V dc Controllers
Voltage Range	79 to 132V ac, 47 to 63 Hz	14 to 30V dc
On Voltage	79V ac min. 132V ac max.	14V dc min. 24V dc nominal 26.4V dc max. at +55°C (+131°F) 30.0V dc max. at +30°C (+86°F)
Off Voltage	20V ac	5V dc
On Current	5.0 mA min. at 79V ac 47 Hz 12.0 mA nominal at 120V ac 60 Hz 16.0 mA max. at 132V ac 63 Hz	2.5 mA min. at 14V dc 8.0 mA nominal at 24V dc 12.0 mA max. at 30V dc
Off Current	2.5 mA max.	1.5 mA max.
Nominal Impedance	12K ohms at 50 Hz 10K ohms at 60 Hz	3K ohms
Inrush Maximum	250 mA max. ⁽¹⁾	Not Applicable

⁽¹⁾ To reduce the inrush maximum to 35 mA, apply a 6.8K ohm, 5W resistor in series with the input. The on-state voltage increases to 92V ac as a result

AC/DC Input Specifications for 1761-L16NWA and 1761-L16NWB

Specification ⁽¹⁾		AC Excitation ⁽²⁾	DC Excitation
On State Voltage	Minimum	18V ac	14V dc
	Nominal	24V ac	24V dc
	Maximum	26.4V ac at 55°C (131°F) 30V ac at 30°C (86°F)	26.4V dc at 55°C (131°F) 30V dc at 30°C (86°F)
On State Current	Minimum	3.0 mA at 18V ac	2.5 mA at 14V dc
	Nominal	8.0 mA at 24V ac	8.0 mA at 24V dc
	Maximum	12 mA at 30V ac	12 mA at 30V dc
Off State Voltage	Minimum	0.0V ac	0.0V dc
	Maximum	3.0V ac	5.0V dc
Off State Current	Minimum	1.0 mA	1.5 mA
Frequency	Nominal	50/60 Hz	see Turn On Time/Turn Off Time
	Range	47 to 63 Hz	

Specification ⁽¹⁾		AC Excitation ⁽²⁾	DC Excitation
Turn On Time ⁽³⁾	Minimum	2 ms	2 ms
	Maximum	20 ms	20 ms
Turn Off Time ⁽³⁾	Minimum	10 ms	10 ms
	Maximum	20 ms	20 ms

⁽¹⁾ Input circuits may be operated ac or dc on a group basis only.

⁽²⁾ All ac specifications are sinusoidal RMS values.

⁽³⁾ Turn On and Turn Off Times are not adjustable.

Analog Input Specifications

Description	Specification
Voltage Input Range	-10.5 to +10.5V dc - 1LSB
Current Input Range	-21 to +21 mA - 1LSB
Type of Data	16-bit signed integer
Input Coding -21 to +21 mA - 1LSB, -10.5 to +10.5V dc - 1 LSB	-32,768 to +32,767
Voltage Input Impedance	210K Ω
Current Input Impedance	160 Ω
Input Resolution ⁽¹⁾	16 bit
Non-linearity	0.002%
Overall Accuracy 0°C to +55°C	$\pm 0.7\%$ of full scale
Overall Accuracy Drift 0°C to +55°C (max.)	$\pm 0.176\%$
Overall Error at +25°C (+77°F) (max.)	$\pm 0.525\%$
Voltage Input Overvoltage Protection	24V dc
Current Input Overcurrent Protection	± 50 mA
Input to Output Isolation	30V rated working/500V isolation
Field Wiring to Logic Isolation	

⁽¹⁾ The analog input update rate and input resolution are a function of the input filter selection.

Analog Input Update Rates

Programmable Filter Characteristics				
1st Notch Freq (Hz)	Filter Bandwidth (-3 dB Freq Hz)	Update Time (mSec) ⁽¹⁾	Settling Time (mSec) ⁽¹⁾	Resolution (Bits)
10	2.62	100.00	400.00	16

Programmable Filter Characteristics

1st Notch Freq (Hz)	Filter Bandwidth (-3 dB Freq Hz)	Update Time (mSec) ⁽¹⁾	Settling Time (mSec) ⁽¹⁾	Resolution (Bits)
50	13.10	20.00	80.00	16
60 ⁽²⁾	15.72	16.67	66.67	16
250	65.50	4.00	16.00	15

⁽¹⁾ The total update time for each channel is a combination of the Update Time and the Settling Time. When more than one analog input channel is enabled, the maximum update for each channel is equal to one ladder scan time plus the channel's Update Time plus Settling Time. When only one analog input channel is enabled, the maximum update for the channel is equal to the Update Time plus one ladder scan time for all except the first update after Going to Run (GTR). The first update time is increased by the Settling Time.

⁽²⁾ 60 Hz is the default setting.

General Output Specifications

Type	Relay	MOSFET	Triac
Voltage	See Wiring Diagrams, p. 121.		
Max Load Current	See Relay Contact Ratings on page 27.	1.0A per point at +55° C (+131° F) 1.5A per point at +30° C (+86° F)	0.5A per point at +55° C (131° F) 1.0A per point at +30° C (86° F)
Min Load Current	10.0 mA	1 mA	10.0 mA
Current per Controller	1440 VA	3A for L16BBB 6A for L32BBB	1440 VA
Current per Common	8.0A	3A for L16BBB 6A for L32BBB	Not Applicable
Max Off State Leakage Current	0 mA	1 mA	2 mA at 132V ac 4.5 mA at 264V ac
Off to On Response	10 ms max.	0.1 ms	8.8 ms at 60 Hz 10.6 ms at 50 Hz
On to Off Response	10 ms max.	1 ms	11.0 ms
Surge Current per Point	Not Applicable	4A for 10 ms ⁽¹⁾	10A for 25 ms ⁽¹⁾
Relay life- Electrical	Refer to Relay Life Chart below	—	—
Relay life - Mechanical	20,000,000 cycles	—	—

⁽¹⁾ Repeatability is once every 2 seconds at +55° C (+131° F).

Relay Contact Rating Table

Maximum Volts	Amperes		Amperes Continuous	Voltamperes	
	Make	Break		Make	Break
240V ac	7.5A	0.75A	2.5A	1800 VA	180 VA
120V ac	15A	1.5A			
125V dc	0.22A ⁽¹⁾		1.0A	28 VA	
24V dc	1.2A ⁽¹⁾		2.0A		

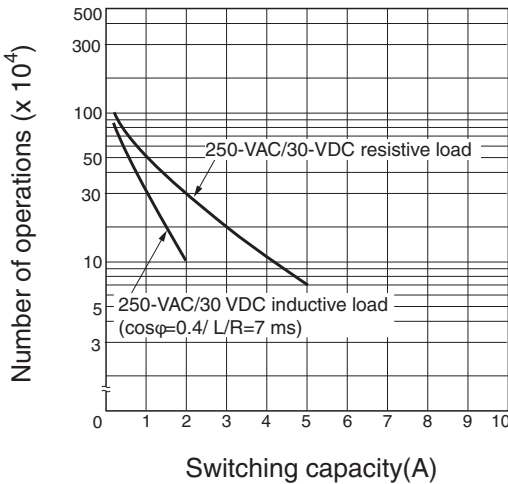
⁽¹⁾ For dc voltage applications, the make/break ampere rating for relay contacts can be determined by dividing 28 VA by the applied dc voltage. For example, $28 \text{ VA} \div 48 \text{ V dc} = 0.58 \text{ A}$. For dc voltage applications less than 48V, the make/break ratings for relay contacts cannot exceed 2A. For dc voltage applications greater than 48V, the make/break ratings for relay contacts cannot exceed 1A.

ATTENTION

Do not exceed the “Current per common” specification.



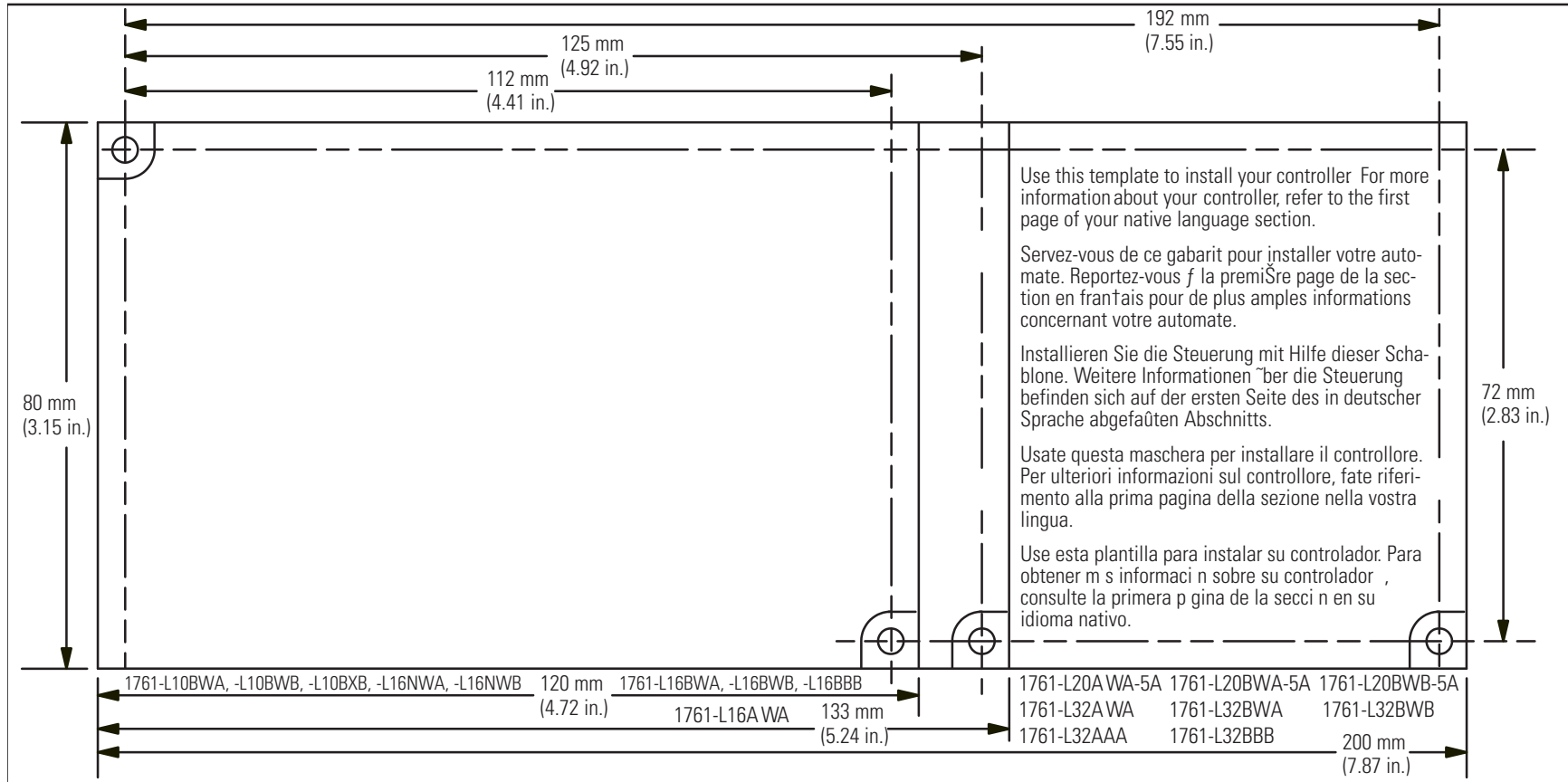
Relay Life Chart



Analog Output Specifications

Description	Specification
Voltage Output Range	0 to 10V dc -1LSB
Current Output Range	4 to 20 mA - 1LSB
Type of Data	16-bit signed integer
Non-linearity	0.02%
Step Response	2.5 ms (at 95%)
Load Range - Voltage Output	1K Ω to ∞ Ω
Load Range - Current Output	0 to 500 Ω
Output Coding 4 to 20 mA - 1 LSB, 0 to 10V dc - 1LSB	0 to 32,767
Voltage Output Miswiring	can withstand short circuit
Current Output Miswiring	can withstand short circuit
Output Resolution	15 bit
Analog Output Settling Time	3 msec (maximum)
Overall Accuracy 0°C to +55°C	\pm 1.0% of full scale
Overall Accuracy Drift 0°C to +55°C (max.)	\pm 0.28%
Overall Error at +25°C (+77°F) (max.)	0.2%
Field Wiring to Logic Isolation	30V rated working/500V isolation

Mounting Template



Rockwell Automation Support

Rockwell Automation provides technical information on the Web to assist you in using its products. At <http://support.rockwellautomation.com>, you can find technical manuals, a knowledge base of FAQs, technical and application notes, sample code and links to software service packs, and a MySupport feature that you can customize to make the best use of these tools.

For an additional level of technical phone support for installation, configuration and troubleshooting, we offer TechConnect support programs. For more information, contact your local distributor or Rockwell Automation representative, or visit <http://support.rockwellautomation.com>.

Installation Assistance

If you experience a problem with a hardware module within the first 24 hours of installation, please review the information that's contained in this manual. You can also contact a special Customer Support number for initial help in getting your module up and running:

United States	1.440.646.3434 Monday – Friday, 8am – 5pm EST
Outside United States	Please contact your local Rockwell Automation representative for any technical support issues.

New Product Satisfaction Return

Rockwell Automation tests all of its products to ensure that they are fully operational when shipped from the manufacturing facility. However, if your product is not functioning and needs to be returned, follow these procedures.

United States	Contact your distributor. You must provide a Customer Support case number (see phone number above to obtain one) to your distributor in order to complete the return process.
Outside United States	Please contact your local Rockwell Automation representative for return procedure.

Allen-Bradley, Rockwell Automation, MicroLogix and TechConnect are trademarks of Rockwell Automation, Inc.

Trademarks not belonging to Rockwell Automation are property of their respective companies.

www.rockwellautomation.com

Power, Control and Information Solutions Headquarters

Americas: Rockwell Automation, 1201 South Second Street, Milwaukee, WI 53204-2496 USA, Tel: (1) 414.382.2000, Fax: (1) 414.382.4444
Europe/Middle East/Africa: Rockwell Automation, Vorstlaan/Boulevard du Souverain 36, 1170 Brussels, Belgium, Tel: (32) 2 663 0600, Fax: (32) 2 663 0640
Asia Pacific: Rockwell Automation, Level 14, Core F, Cyberport 3, 100 Cyberport Road, Hong Kong, Tel: (852) 2887 4788, Fax: (852) 2508 1846

Publication 1761-IN001D-EN-P - June 2015

Supersedes Publication 1761-IN001C-EN-P - March 2008

Copyright © 2015 Rockwell Automation, Inc. All rights reserved.