

# NEMA Contactor and Starter Specifications

Bulletins 500, 502, 503, 505, 506, 506X, 507, 507X, 509, 512, 513, 522E/F/G, 523E/F/G

Topic	Page
Specifications	2
Electrical Ratings	2
Mechanical Ratings, Construction, Environmental	3
Short Circuit Rating	4
AC Coil Data	5
Auxiliary Contacts (NEMA A600 and P300) — Bulletin 595, 596	5
Load-life Curves	6
Approximate Dimensions	7
Type 1 General Purpose Lift-Off Enclosure	7
Type 1 Hinged Enclosure — with or without Control Transformer	7
Type 1 General Purpose Painted Enclosure	8
Type 3R/12 Rainproof, Dusttight, 4/4X Watertight, Non-metallic Enclosure — with or without Control Transformer	9
Type 3R/4/12 Rainproof, Dusttight — Industrial Use Enclosures	10
Unilock Enclosures — Type 3R, 7 & 9, Class I Groups C & D, Class II, Groups E, F & G — Divisions 1 & 2	11
Bolted Enclosures — Type 3R, 7 & 9, Class I, Groups C & D, Class II, Groups E, F & G — Divisions 1 & 2	12...16

## Summary of Changes

This publication contains new and updated information as indicated in the following table.

Topic	Page
Removed NEMA Pump Panels and Open Type enclosures.	Not applicable

## Additional Resources

These documents contain additional information concerning related products from Rockwell Automation.

Resource	Description
Pump Panel Specifications, publication <a href="#">1232-TD001</a>	Provides specifications for Bulletin 1232 and 1233 pump panels.
Industrial Automation Wiring and Grounding Guidelines, publication <a href="#">1770-4.1</a>	Provides general guidelines for installing a Rockwell Automation industrial system.
Product Certifications website, <a href="http://www.ab.com">http://www.ab.com</a>	Provides declarations of conformity, certificates, and other certification details.

You can view or download publications at <http://www.rockwellautomation.com/global/literature-library/>. To order paper copies of technical documentation, contact your local Allen-Bradley distributor or Rockwell Automation sales representative.



## Specifications Electrical Ratings

NEMA Size	Load Voltage	Continuous Current Rating [A]	Service Limit Current Rating <sup>(1)</sup> [A]	Maximum Hp Rating (Non-plugging and non-jogging duty)		Maximum Hp Rating (Plugging and jogging duty) <sup>(2)</sup>		Transformer Primary Switching kVa Rating (Inrush Current ≤ 20 times Continuous Current)		Transformer Primary Switching kVa Rating (Inrush Current = 20 to 40 times Continuous Current)		Capacitor Switching kVAR <sup>(3)</sup> 3Ø	Maximum Circuit Closing Inrush Current [A] Peak Including Offset 3Ø	
	[V]			1Ø	3Ø	1Ø	3Ø	1Ø	3Ø	1Ø	3Ø			
00	115	9	11	1/3	—	1/4	—	—	—	—	—	—	87	
	200			—	1-1/2	—	1	—	—	—	—	—		
	230			1	1-1/2	1/2	1	—	—	—	—	—		
	380			—	1-1/2	—	1	—	—	—	—	—		
	460			—	2	—	1-1/2	—	—	—	—	—		
575	—	2	—	1-1/2	—	—	—	—	—	—				
0	115	18	21	1	—	1/2	—	0.6	—	0.3	—	—	140	
	200			—	3	—	1-1/2	—	1.8	—	0.9	—		
	230			2	3	1	1-1/2	—	2.1	—	1	—		
	380			—	5	—	1-1/2	—	—	—	—	—		
	460			—	5	—	2	—	2.4	4.2	1.2	2.1		—
575	—	5	—	2	—	3	5.2	1.5	2.6	—				
1	115	27	32	2	—	1	—	1.2	—	0.6	—	—	288	
	200			—	3	—	3	—	3.6	—	1.8	—		
	230			3	7-1/2	2	3	2.4	4.3	1.2	2.1	—		
	380			—	10	—	5	—	—	—	—	—		
	460			—	10	—	5	—	4.9	8.5	2.5	4.3		13.5
575	—	10	—	5	—	6.2	11	3.1	5.3	17				
1P	115	36	42	3	—	1-1/2	—	—	—	—	—	—	—	
	230			5	—	3	—	—	—	—	—	—	—	
2	115	45	52	3	—	2	—	2.1	—	1	—	—	483	
	200			—	10	—	7-1/2	—	6.3	—	3.1	—		
	230			7-1/2	15	5	10	—	4.1	7.2	2.1	3.6		12
	380			—	25	—	15	—	—	—	—	—		—
	460			—	25	—	15	—	8.3	14	4.2	7.2		25
575	—	25	—	15	—	10	18	5.2	8.9	31				
3	115	90	104	7-1/2	—	7-1/2	—	4.1	—	2	—	—	947	
	200			—	25	—	15	—	12	—	6.1	—		
	230			15	30	15	20	8.1	14	4.1	7.0	—		
	380			—	50	—	30	—	—	—	—	—		
	460			—	50	—	30	—	16	28	8.1	14		53
575	—	50	—	30	—	20	35	10	18	67				
4	115	135	156	—	—	—	—	6.8	—	3.4	—	—	1581	
	200			—	40	—	25	—	20	—	10	—		
	230			—	50	—	30	—	14	23	6.8	12		40
	380			—	75	—	50	—	—	—	—	—		—
	460			—	100	—	60	—	27	47	14	23		80
575	—	100	—	60	—	34	59	17	29	100				
5	115	270	311	—	—	—	—	14	—	6.8	—	—	3163	
	200			—	75	—	60	—	41	—	20	—		
	230			—	100	—	75	—	27	47	14	24		80
	380			—	150	—	125	—	—	—	—	—		—
	460			—	200	—	150	—	54	94	27	47		160
575	—	200	—	150	—	68	117	34	59	200				
6	115	540	621	—	—	—	—	27	—	14	—	—	6326	
	200			—	150	—	125	—	81	—	41	—		
	230			—	200	—	150	—	54	94	27	47		160
	380			—	300	—	250	—	—	—	—	—		—
	460			—	400	—	300	—	108	188	54	94		320
575	—	400	—	300	—	135	234	68	117	400				
7	230	810	932	—	300	—	—	—	—	—	—	240	9470	
	460			—	600	—	—	—	—	—	—	480		
	575			—	600	—	—	—	—	—	—	600		
8	230	1215	1400	—	450	—	—	—	—	—	—	360	14205	
	460			—	900	—	—	—	—	—	—	720		
	575			—	900	—	—	—	—	—	—	900		
9	230	2250	2590	—	800	—	—	—	—	—	—	665	25380	
	460			—	1600	—	—	—	—	—	—	1325		
	575			—	1600	—	—	—	—	—	—	1670		

(1) **Service-Limit Current Ratings** — The service-limit current ratings that are shown represent the maximum rms current, in amperes, which the controller shall be permitted to carry for protracted periods in normal service. At service-limit current ratings, temperature rises shall be permitted to exceed those obtained by testing the controller at its continuous current rating. The current rating of overload relays or the trip current of other motor protective devices that are used shall not exceed the service-limit current rating of the controller.

(2) **Plugging or Jogging Service** — The listed horsepower ratings are recommended for those applications requiring repeated interruption of stalled motor current that is encountered in rapid motor reversal in excess of five openings or closings per minute and shall not be more than ten in a ten minute period.

(3) If maximum available current (at capacitor terminals) is greater than 3000 A, contact your local Rockwell Automation sales office, Allen-Bradley distributor, or NEMA ICS-2 Standard.

### Mechanical Ratings

NEMA Size	Mechanical Life (Millions of Operations)	Maximum Number of Auxiliary Contacts	Operating Time [ms]	
			Pick-up (Average)	Drop-out (Average)
00	10	5	20	16
0	10	8	21	16
1	10	8	22	14
2	10	8	27	13
3	5	8	37	20
4	5	8	27	20
5	5	8	25	18
6	5	4	25...79	10...22
7	—	8	88	40
8	—	8	88	45
9	—	8	118	84

### Construction

NEMA Size	Wire Size for Power Terminals	Required Torque on Power Terminal Wire Clamps and Pressure Connectors or Lugs	Type of Power Terminal	Contact Material		Requirements for Sizing of Wire
				Power Contacts	Auxiliary Contacts	
00	#16...10 AWG	9 lb-in	Pressure terminals	Silver alloy	Silver	All wire rated 167 °F (75 °C) or higher must be sized per the local Electrical Code for 167 °F (75 °C) wire.
0	#14...10 AWG	20 lb-in	Saddle or wire clamps			
1	#14...8 AWG	20 lb-in				
2	#14...4 AWG	45 lb-in	Pressure terminals			
3	#8...1/0 AWG	150 lb-in				
4	#6...4/0 AWG	275 lb-in				
5	#4 AWG...500 MCM	375 lb-in				
6	Lugs sold separately <sup>(1)</sup>					
7						
8						
9	Direct bus connections only					

(1) Contact your local Allen-Bradley distributor or Rockwell Automation sales office.

### Environmental

NEMA Size	Operating Position	Operating Temperature Range	Altitude	Corrosion-Resistance
00	Horizontal	Starters with eutectic alloy Overload relay -13...+149 °F (-25...+65 °C)  Starters with SMP™ Overload relay -13...+131 °F (-25...+55 °C)  (provided condensation is prevented)	10 000 feet before derating	All metal parts are treated for corrosion-resistance
0	Vertical			
1				
2				
3				
4				
5				
6	Horizontal			
7	Vertical			
8				
9				

### Short Circuit Rating

Combination contactors and starters with disconnect switch: Bulletin 502, 506, 512, 522E, 522F, and 522G

<b>Combination Contactors and Starters with Disconnect Switch: Bulletin 502, 506, 512, 522E, 522F, and 522G</b>			
<b>NEMA Size</b>	<b>Fuse Type</b>	<b>Available Short Circuit Amperes RMS Symmetrical [A]</b>	<b>Maximum Voltage [V]</b>
0...3	H, K	5000	600
4...5	H, K	10 000	
0...5	J, R	100 000	
6	L	18 000	
7	L	18 000	

<b>Combination Lighting Contactors with Disconnect Switch: Bulletin 502L</b>			
<b>Lighting Contactor Rating [A]</b>	<b>Fuse Type</b>	<b>Available Short Circuit Amperes RMS Symmetrical [A]</b>	<b>Maximum Voltage [V]</b>
20...100	H, K	5000	600
200...300	H, K	10 000	
20...300	J, R	100 000	

<b>Combination Contactors and Starters with Circuit Breaker: Bulletin 503, 507, 513, 523E, 523F, and 523G</b>			
<b>Enclosure Type</b>	<b>NEMA Size</b>	<b>Available Short Circuit Amperes RMS Symmetrical [A]</b>	<b>Maximum Voltage [V]</b>
1, 3R, 3R/4/12, 4/4X (stainless)	0...5	65 000	480
Unilock 3R, 7, & 9			
Bolted 3R, 7, & 9			
3R, 3R/4/12, 4/4X (stainless)			
1, 3R, 3R/4/12, 4/4X (stainless)	0...5	25 000	600
Unilock 3R, 7, & 9		10 000	
Bolted 3R, 7, & 9		10 000	
3R, 3R/4/12, 4/4X (stainless)	6	18 000	
	7	25 000	

<b>Combination Lighting Contactors with Circuit Breaker: Bulletin 503L</b>			
<b>Enclosure Type</b>	<b>Lighting Contactor Rating [A]</b>	<b>Available Short Circuit Amperes RMS Symmetrical [A]</b>	<b>Maximum Voltage [V]</b>
1, 3R, 3R/4/12, 4/4X (stainless)	20...300	65 000	480
Unilock 3R, 7, & 9	20...300	65 000	
Bolted 3R, 7, & 9	20...300	65 000	
1, 3R, 3R/4/12, 4/4X (stainless)	20...300	25 000	600
Unilock 3R, 7, & 9	20...100	10 000	
Unilock 3R, 7, & 9	20...300		
Bolted 3R, 7, & 9	20...300		

**AC Coil Data**

NEMA Size	Operating Volt Amperes Burden [VA]		Heat Dissipation [W]	Coil Operating Limits
	60 Hz Coils			
	Inrush	Sealed		
00	70	8	2.7	85...110%
0	192	29	5.9	
1 & 1P	192	29	5.9	
2 (2...3 poles)	240	29	5.9	
2 (4...5 poles)	315	38	5.9	
3 (2...3 poles)	660	45	10	
3 (4...5 poles)	840	58	10	
4 (2...3 poles)	1225	69	14.8	
4 (4...5 poles)	1490	96	14.8	
5 (Series L)	1490	96	19.8	
6 <sup>(1)</sup>	4860	254	65.7	
6 (Interposing relay)	52.44	3.96	—	
7 <sup>(2)</sup>	Economized DC Coil		—	
7 (Interposing relay)	74.40	9.84	—	
8 <sup>(3)</sup>	Economized DC Coil		—	
8 (Interposing relay)	74.40	9.84	—	
9 <sup>(4)</sup>	Economized DC Coil		—	
9 (Interposing relay)	144	19.20	—	

- (1) This rating is for the size 6 contactor coil only. All starters are shipped with an interposing relay as standard.
- (2) Size 7 starters are shipped with a 250 VA control circuit transformer and an interposing relay with a 120V coil. Voltage is then rectified to DC for the contactor coil.
- (3) Size 8 starters are shipped with a 350 VA control circuit transformer and an interposing relay with a 120V coil. Voltage is then rectified to DC for the contactor coil.
- (4) Size 9 starters are shipped with a 750 VA control circuit transformer and an interposing relay with a 120V coil. Voltage is then rectified to DC for the contactor coil.

**Auxiliary Contacts (NEMA A600 and P300) — Bulletin 595, 596**

Maximum AC Contact Rating Per Pole						
AC Rating Designation	Maximum Voltage 60 Hz or 50 Hz	[A]		Continuous Carrying Current [A]	[VA]	
		Make	Break		Make	Break
A600	120	60	6	10	7200	720
	240	30	3	10	7200	720
	480	15	1.5	10	7200	720
	600	12	1.2	10	7200	720

Maximum DC Contact Rating Per Pole (Maximum Continuous Carrying Current is 5 A)			
DC Rating Designation	125VDC	250VDC	600VDC
P300	0.55 A	0.55 A (Requires 2 Contacts in Series)	—
	1.1 A (Requires 2 Contacts in Series)		

### Load-life Curves

Bulletin 500 Line contactors and starters are designed to provide high performance in various applications. These load-life curves are based on Rockwell Automation tests according to the requirements defined in IEC 947-4. Actual contact life may vary based on the application, duty cycle, and environmental conditions from that indicated by the curves.

To find the contactor’s estimated electrical life, follow these guidelines:

- Choose the appropriate graph that most closely approximates the utilization category of the application.
- Locate the intersection of the life-load curve of the appropriate contactor with the application’s operational current ( $I_e$ ) found on the horizontal axis.
- Read the estimated contact life in millions of operations along the vertical axis.

#### Contact Life for Mixed Utilization Categories AC3 and AC4

In many applications, the utilization category cannot be defined as either purely AC3 or AC4. In those applications, the electrical life of the contactor can be estimated from the following equation:

$$L_{mixed} = \frac{L_{AC3}}{1 + P_{AC4} \left( \frac{L_{AC3}}{L_{AC4}} - 1 \right)}$$

Where:

$L_{mixed}$  = Approximate contact life for a mixed AC3/AC4 utilization category application

$L_{AC3}$  = Approximate contact life in operations for AC3 utilization category (from AC3 life-load curves below)

$L_{AC4}$  = Approximate contact life in operations for AC4 utilization category (from AC4 life-load curves below)

$P_{AC4}$  = Percentage of AC4 operations

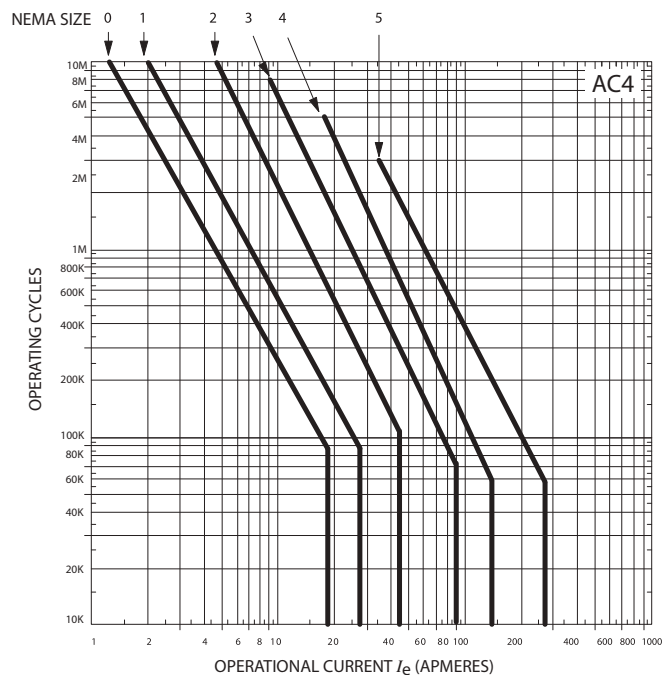
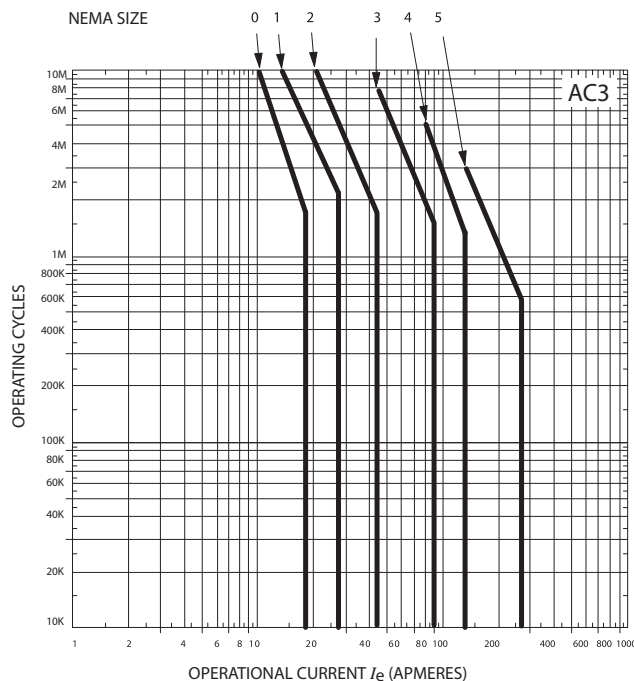
#### Utilization Categories

##### Category Typical Duty:

AC3 Starting of squirrel cage motors and switching off only after the motor is up to speed.

AC4 Starting of squirrel cage motors with inching and plugging duty.

#### Bulletin 500 Load / Life Curves — AC3 and AC4

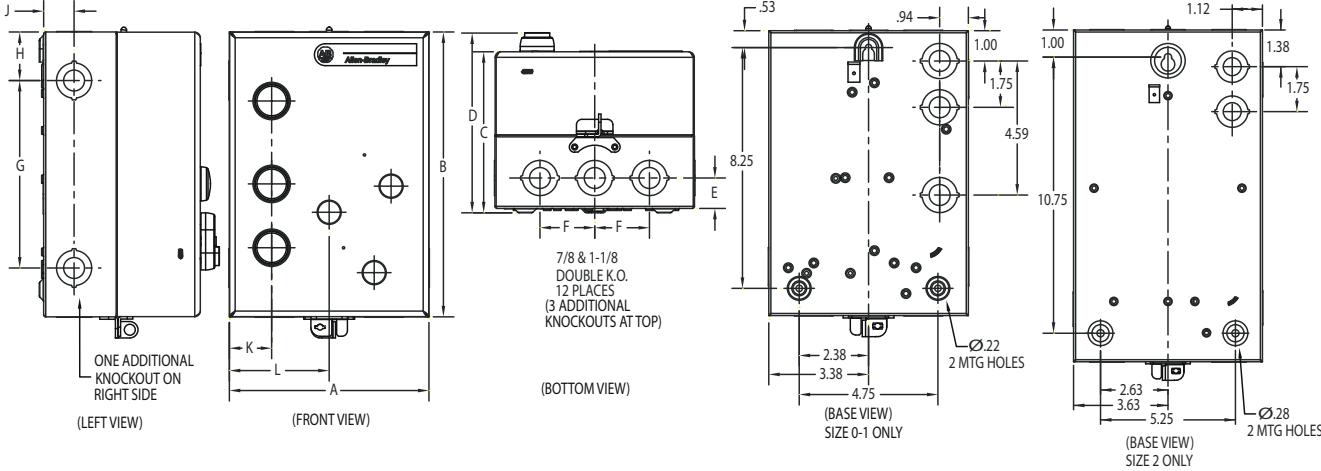


### Approximate Dimensions

Approximate dimensions are shown in inches (millimeters). Dimensions are not intended for manufacturing purposes.

#### Bulletins 500 and 509 Contactors and Starters, 3-Pole

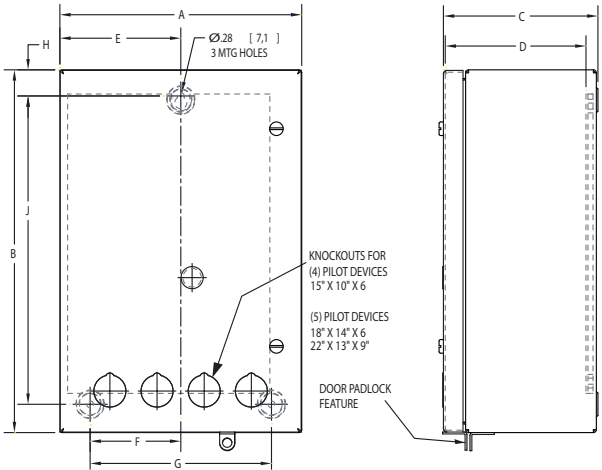
- Type 1 General Purpose Lift-Off Enclosure



NEMA Size/ Current Rating	Dimensions in Inches (Millimeters)										
	A Width	B Height	C Depth	D	E	F	G	H	J	K	L
00...1	6.75 (171)	9.67 (246)	2.81 (71)	4.10 (104)	1.00 (25)	1.88 (48)	6.42 (163)	1.62 (41)	1.00 (25)	1.46 (37)	3.38 (86)
2	7.25 (184)	12.81 (325)	2.81 (71)	4.10 (104)	1.22 (31)	2.38 (60)	8.88 (226)	1.94 (49)	1.22 (31)	1.46 (37)	3.63 (92)

#### Bulletins 500, 505, 509, 520E, 520F, and 520G Contactors / Starters, 3-...5-Pole

- Type 1 Hinged Enclosure — with or without Control Transformer



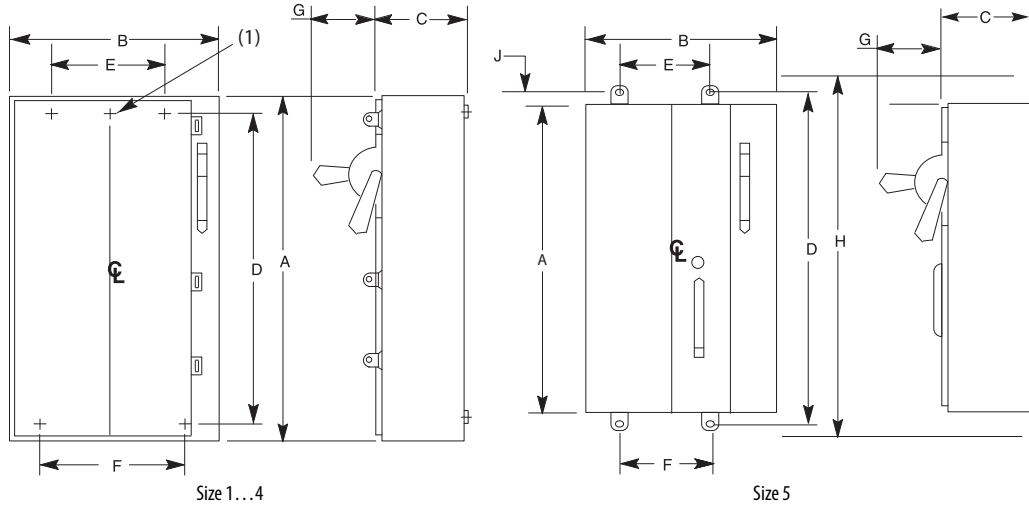
NEMA Size/ Current Rating	Bulletin No.	Dimensions in Inches (Millimeters)								
		A Width	B Height	C Depth	D	E Mounting	F Mounting	G Mounting	H	J (Mounting)
00...1	500 & 509	10.00 (254)	15.00 (381)	6.39 (162)	5.82 (148)	5.00 (127)	3.75 (95)	7.50 (191)	1.08 (27)	12.75 (324)
2	500 & 509 without transformer	14.00 (356)	18.00 (457)	6.39 (162)	5.83 (148)	7.00 (178)	5.75 (146)	11.50 (292)	1.00 (25)	15.75 (400)
0...1	505 & 520	13.00 (330)	22.00 (559)	8.50 (216)	7.89 (201)	6.50 (165)	5.25 (133)	10.50 (267)	1.08 (27)	19.75 (502)

Note: For Types 3R/12, 4/4X, 4X, and Bolted Type 7 & 9 and 3R, 7 & 9 dimensions, contact your local Rockwell Automation sales office or Allen-Bradley distributor.

Approximate dimensions are shown in inches (millimeters). Dimensions are not intended for manufacturing purposes.

**Bulletins 500, 502, 503, 505, 506/X, 507/X, 509, 512/M/V, 513/M/V, 520E/F/G, 522E/F/G, and 523E/F/G**

- Type 1 General Purpose Painted Enclosure



NEMA Size	Bulletin No.	Approximate Dimensions in Inches (Millimeters)							Approximate Shipping Weight [lb (kg)]
		A Height	B Width	C Depth	D Mounting	E Mounting	F Mounting	G Handle Depth	
0...2	506X, 507X	27.50 (968)	10.50 (267)	8.25 (210)	25.13 (639)	(1)	5.25 (133)	5.56 (141)	40 (18.14)
0...2	502, 503, 512, 513								
0...2	506, 507, 512M, 513M, 522E, 522F, 522G, 523E, 523F, 523G	30 (762)	20.5 (521)	9.88 (251)	27.63 (702)	15.25 (387)	15.25 (387)	5.56 (141)	90 (40.82)
3	502, 503, 505, 512, 513, 520E, 520F, 520G								
4	500, 503, 509, 513								
3	506, 507, 522E, 522F, 522G, 523E, 523F, 523G								
4	505, 506, 507, 520E, 520F, 520G, 522E, 522F, 522G, 523E, 523F, 523G	50 (1270)	22 (559)	11.19 (284)	47.63 (1210)	15.25 (387)	15.25 (387)	5.56 (141)	250 (113.4)
5	502, 512								
5	500, 505, 509, 520E, 520F, 520G								
5	502, 503, 506, 506X, 507, 507X, 512, 513, 523E, 523F, 523G	56 (1422)	30.5 (775)	13.79 (350)	57.63 (1463)	20 (508)	25.25 (641)	7.62 (194)	360 (163.3)
6	500, 505, 509, 520E								
5	522E, 522F, 522G	60 (1524)	37.38 (949)	16.00 (406)	61.69 (1567)	33.88 (861)	33.88 (861)	7.62 (194)	420 (190.5)

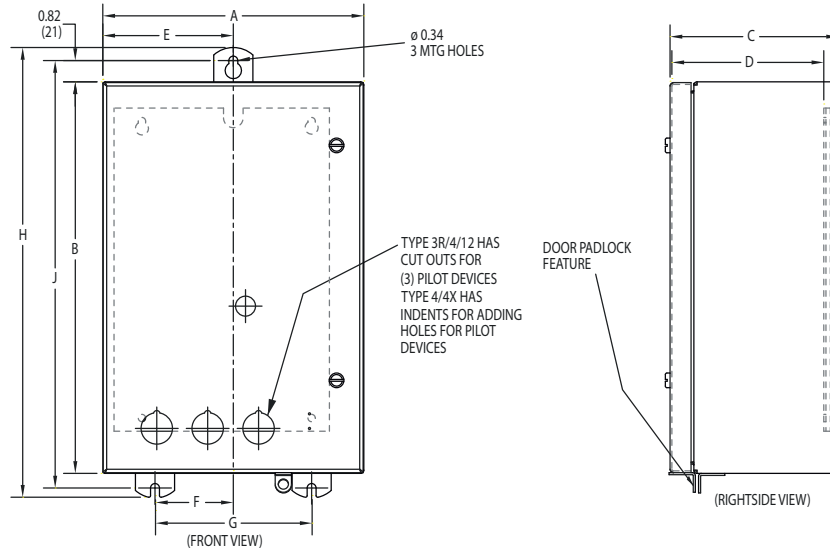
(1) Sizes 0, 1, and 2 have one top-mounting hole that is located on the center line. Larger size enclosures have two top-mounting holes that are located as shown.



Approximate dimensions are shown in inches (millimeters). Dimensions are not intended for manufacturing purposes.

**Bulletins 500, 505, 509, 520E, 520F, and 520G Contactors / Starters, 3-...5-Pole**

- Type 3R/12 Rainproof, Dusttight, 4/4X Watertight, Non-metallic Enclosure — with or without Control Transformer

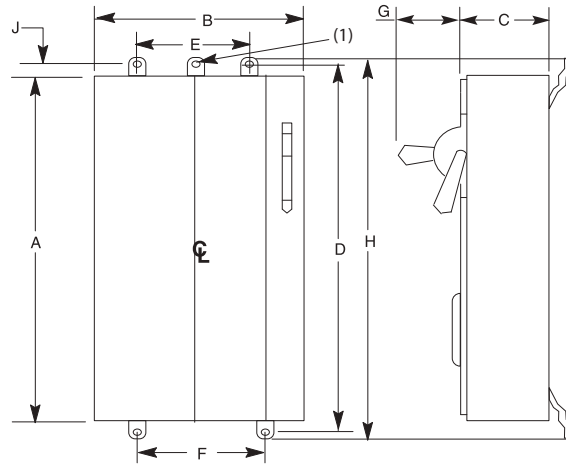


NEMA Size/ Current Rating	Bulletin No.	Approximate Dimensions in Inches (Millimeters)								
		A Width	B Height	C Depth	D	E Mounting	F Mounting	G Mounting	H	J Mounting
00...1	500 & 509									
2	500 & 509 without transformer	10.00 (254)	15.00 (381)	6.45 (164)	5.82 (148)	5.00 (127)	3.00 (76)	6.00 (152)	17.23 (438)	16.38 (416)
2	500 & 509 with transformer	14.00 (356)	18.00 (457)	6.45 (164)	5.83 (148)	7.00 (178)	5.00 (127)	10.00 (254)	20.23 (514)	19.38 (492)
0...1	505 & 509									
3	500 & 509	13.00 (330)	22.00 (559)	8.57 (218)	7.89 (201)	6.50 (165)	4.43 (113)	9.00 (229)	24.23 (615)	23.38 (594)
2	505 & 520									

Approximate dimensions are shown in inches (millimeters). Dimensions are not intended for manufacturing purposes.

**Bulletins 500, 502, 503, 505, 506/X, 507/X, 509, 512/M/V, 513/M/V, 520E/F/G, 522E/F/G, and 523E/F/G**

- Type 3R/4/12 Rainproof, Dusttight — Industrial Use Enclosures



NEMA Size	Bulletin No.	Approximate Dimensions in Inches (Millimeters)									Approximate Shipping Weight [lb (kg)]
		A Height	B Width	C Depth	D Mounting	E Mounting	F Mounting	G Handle Depth	H	J	
0...2	506X, 507X	27.50 (698)	10.50 (267)	8.25 (210)	28.88 (733)	(1)	5.25 (133)	5.56 (141)	29.88 (759)	0.81 (21)	40 (18.14)
	502, 507, 503, 512, 513										
3	506, 507, 512M, 513M, 522E, 522F, 522G, 523E, 523F, 523G	30 (762)	20.5 (521)	10.19 (259)	31.38 (797.05)	15.25 (387)	15.25 (387)	5.56 (141)	32.38 (822)	0.81 (21)	90 (40.82)
	502, 507, 503, 505, 512, 513, 520E, 520F, 520G										
4	500, 509, 513										
3	506, 507, 522E, 522F, 522G, 523E, 523F, 523G										
	502, 505, 507, 512, 520E, 520F, 520G, 522E, 522F, 522G, 523E, 523F, 523G	50 (1270)	22 (559)	11.5 (292)	51.38 (1305)	15.25 (387)	15.25 (387)	5.56 (141)	52.38 (1330)	0.71 (18)	250 (113.4)
5	500, 509, 520E, 520F, 520G										
5	502, 503, 506, 512, 513, 523E, 523F, 523G	56 (1422)	30.5 (775)	13.79 (350)	57.63 (313)	20 (508)	25.25 (641)	7.62 (194)	62.62 (1590)	1 (25.4)	360 (163.3)
	500, 505, 509, 512 (2), 513, 520E										
6	512 (3)	60 (1524)	37.38 (949)	16 (906)	61.69 (1567)	33.88 (861)	33.88 (861)	7.62 (194)	63.5 (1613)	1.5 (38)	420 (190.5)
5	522E, 522F, 522G										
7	512, 513	84 (2134)	39.5 (1003)	18 (457)	—	—	—	7.62 (194)	—	—	650 (249.8)

(1) Sizes 0, 1, and 2 have one top-mounting hole that is located on the center line. All sizes in large enclosures have two top-mounting holes that are located as shown.

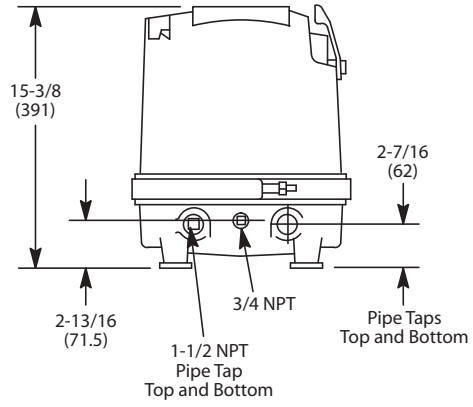
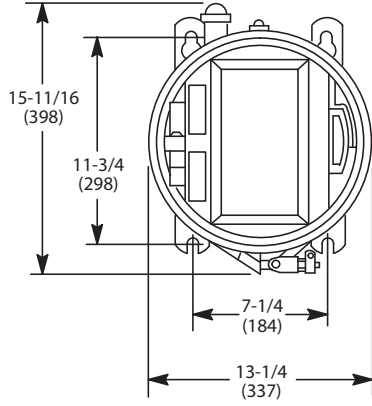
(2) Fusible disconnect switch with Class J fuses.

(3) Fusible disconnect switch with Class R fuses.

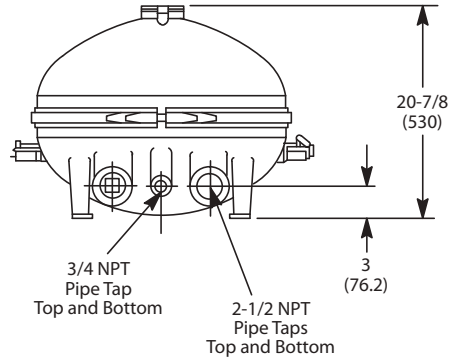
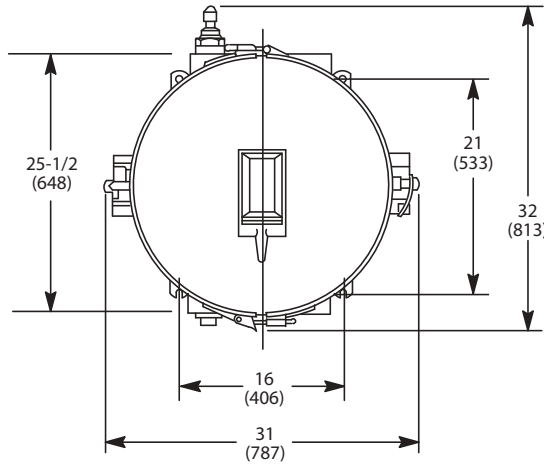
Approximate dimensions are shown in inches (millimeters). Dimensions are not intended for manufacturing purposes.

**Bulletins 503, 505, 507, 509 and 513**

- Unilock Enclosures — Type 3R, 7 & 9, Class I Groups C & D, Class II, Groups E, F & G — Divisions 1 & 2



Sizes 0...2



Sizes 3...5

Approximate dimensions are shown in inches (millimeters). Dimensions are not intended for manufacturing purposes.

**Bulletins 505, 520E, 520F, 520G Starters**

- Bolted Enclosures — Type 3R, 7 & 9, Class I, Groups C & D, Class II, Groups E, F & G — Divisions 1 & 2

NEMA Size	Bulletins 505, 520E		Bulletins 520F, 520G	
	with CCT <sup>(1)</sup>	without CCT <sup>(1)</sup>	with CCT <sup>(1)</sup>	without CCT <sup>(1)</sup>
0	Figure 1A	Figure 1A	Figure 1B	Figure 1B
1	Figure 1A	Figure 1A	Figure 1B	Figure 1B
2	Figure 1B	Figure 1B	Figure 1B	Figure 1B
3	Figure 1C	Figure 1B	Figure 1C	Figure 1C
4	Figure 1C	Figure 1C	Figure 1C	Figure 1C

(1) CCT = Control circuit transformer

Figure 1A

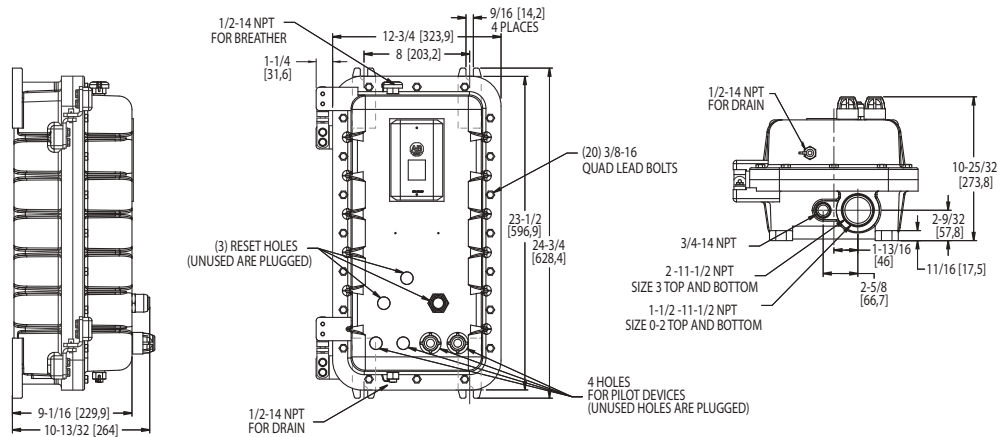


Figure 1B

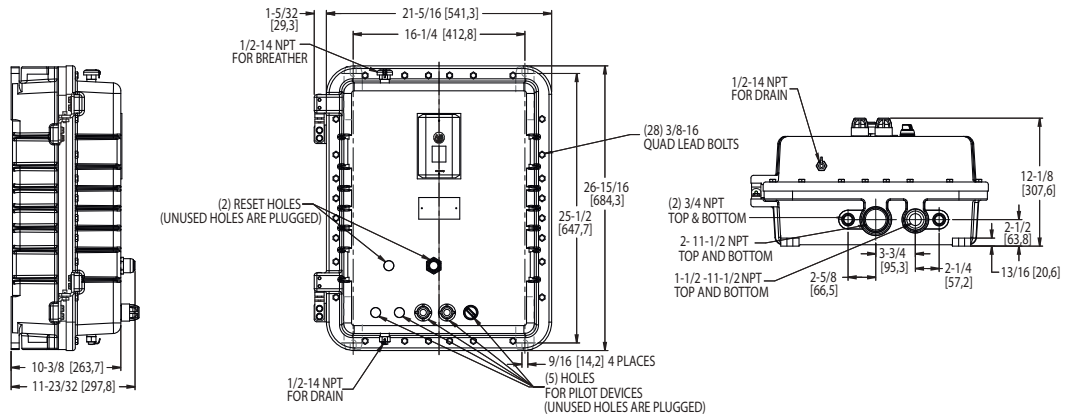
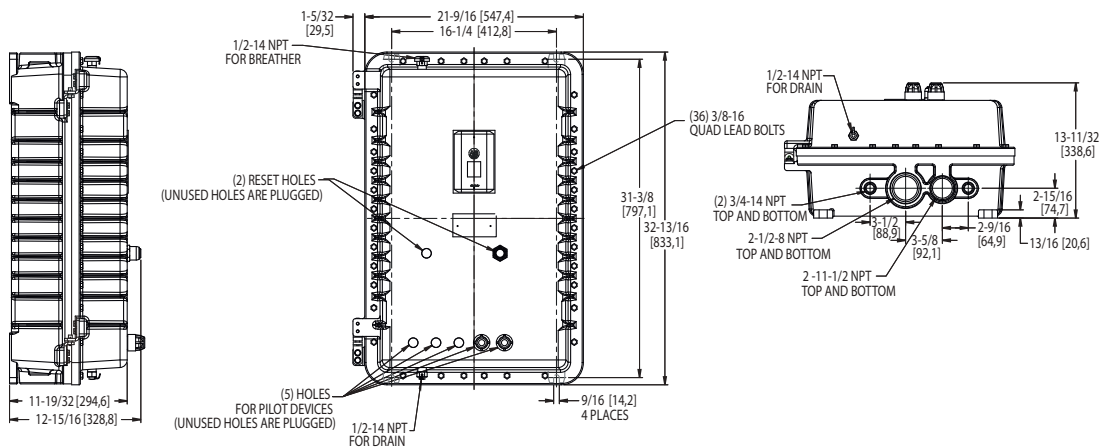


Figure 1C



Approximate dimensions are shown in inches (millimeters). Dimensions are not intended for manufacturing purposes.

**Bulletins 500 and 509 Conactors**

- Bolted Enclosures — Type 3R, 7 & 9, Class I, Groups C & D, Class II, Groups E, F, & G — Divisions 1 & 2

NEMA Size	Bulletins 500 and 509	
	with CCT <sup>(1)</sup>	without CCT <sup>(1)</sup>
0	Figure 2C	Figure 2A
1	Figure 2C	Figure 2A
2	Figure 2C	Figure 2B
3	Figure 2D	Figure 2C
4	Figure 2E	Figure 2E
5	Figure 2F	Figure 2F

(1) CCT = Control circuit transformer

Figure 2A

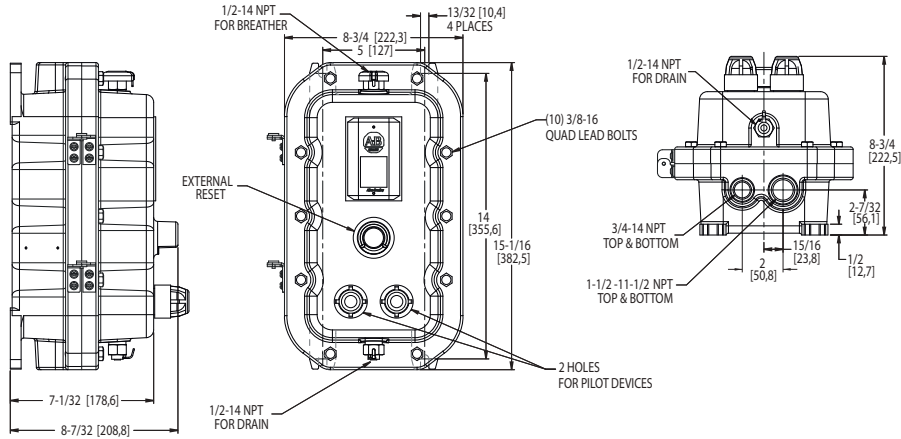


Figure 2B

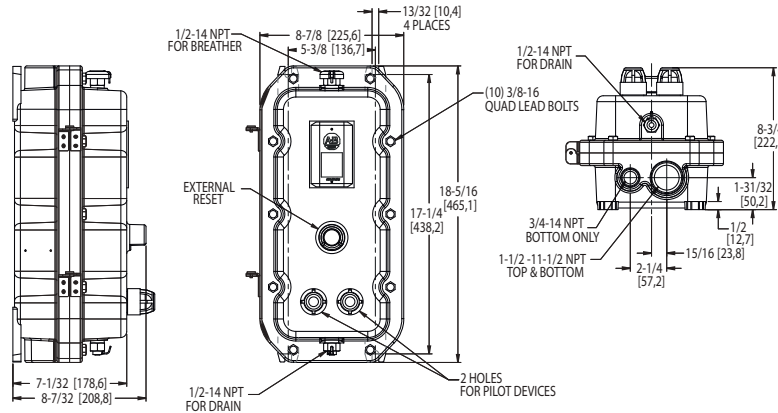
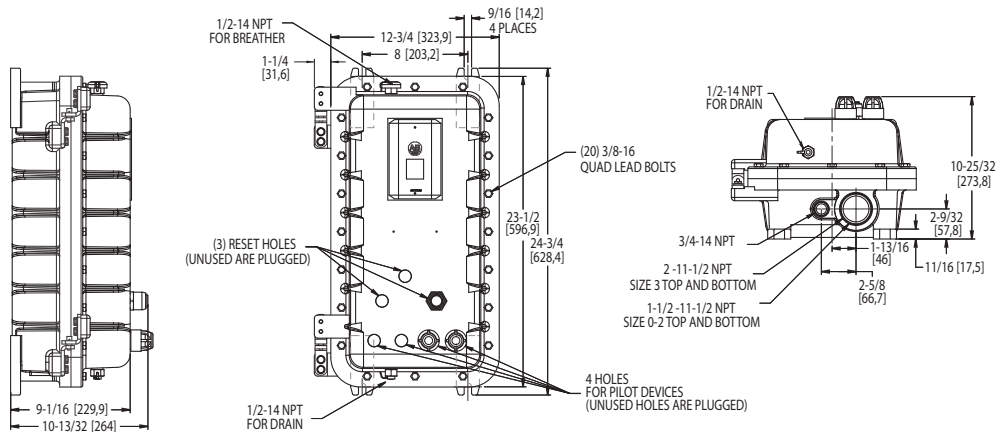


Figure 2C



Approximate dimensions are shown in inches (millimeters). Dimensions are not intended for manufacturing purposes.

**Bulletins 500 and 509 Contactors (Continued)**

- Bolted Enclosures — Type 3R, 7 & 9, Class I, Groups C & D, Class II, Groups E, F, & G — Divisions 1 & 2

NEMA Size	Bulletins 500 and 509	
	with CCT <sup>(1)</sup>	without CCT <sup>(1)</sup>
0	Figure 2C	Figure 2A
1	Figure 2C	Figure 2A
2	Figure 2C	Figure 2B
3	Figure 2D	Figure 2C
4	Figure 2E	Figure 2E
5	Figure 2F	Figure 2F

(1) CCT = Control circuit transformer

Figure 2D

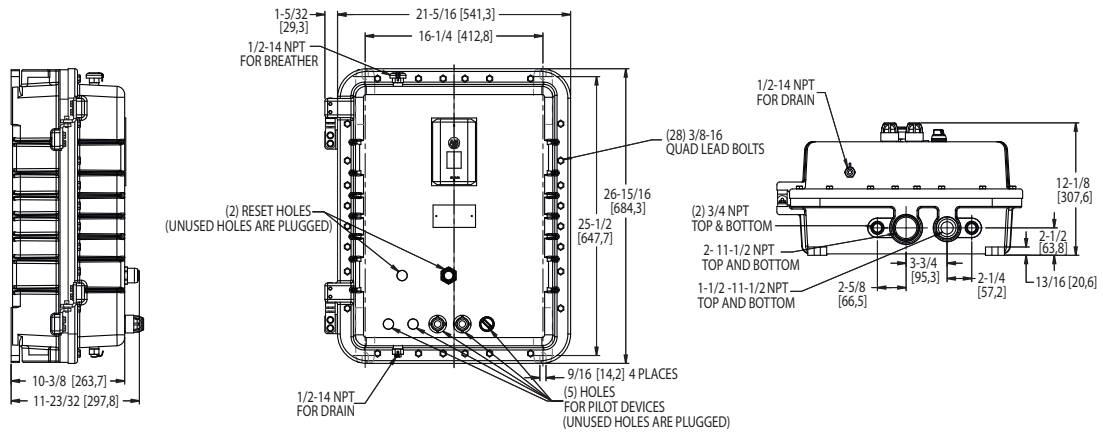


Figure 2E

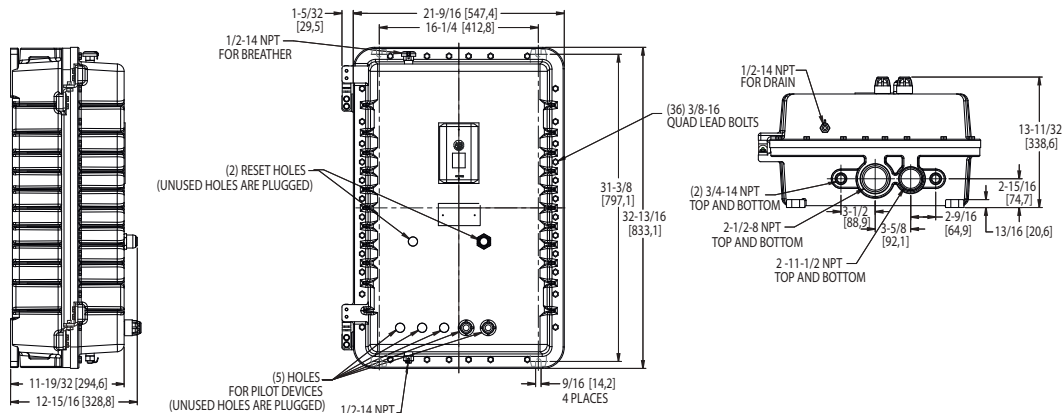
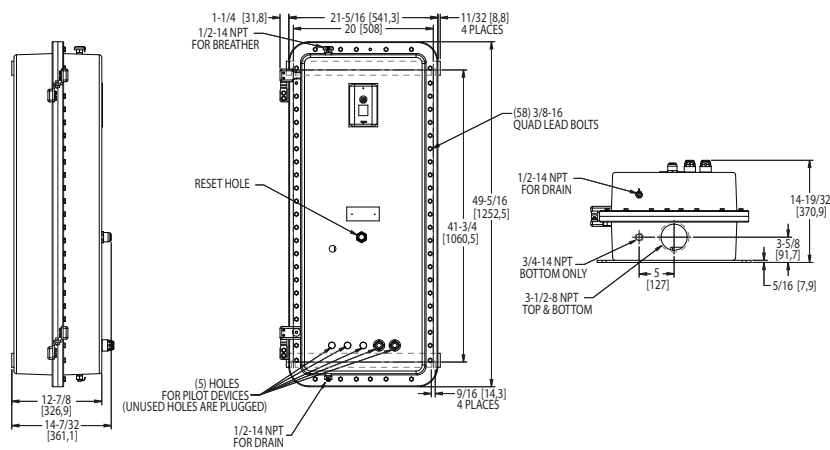


Figure 2F



Approximate dimensions are shown in inches (millimeters). Dimensions are not intended for manufacturing purposes.

**Bulletins 503, 507, 513 Starters**

- Bolted Enclosures — Type 3R, 7 & 9, Class I, Groups C & D, Class II, Groups E, F, & G — Divisions 1 & 2

NEMA Size	Bulletins 503 and 513		Bulletin 507	
	with CCT <sup>(1)</sup>	without CCT <sup>(1)</sup>	with CCT <sup>(1)</sup>	without CCT <sup>(1)</sup>
0	Figure 3A	Figure 3A	Figure 3B <sup>(2)</sup>	Figure 3A
1	Figure 3A	Figure 3A	Figure 3B <sup>(2)</sup>	Figure 3A
2	Figure 3A	Figure 3A	Figure 3B	Figure 3B
3	Figure 3B	Figure 3B	Figure 3C	Figure 3C
4	Figure 3C	Figure 3C	Figure 3D	Figure 3D
5	Figure 3D	Figure 3D	—	—

(1) CCT = Control circuit transformer  
 (2) Figure 3A should be used for 80VA maximum transformers

Figure 3A

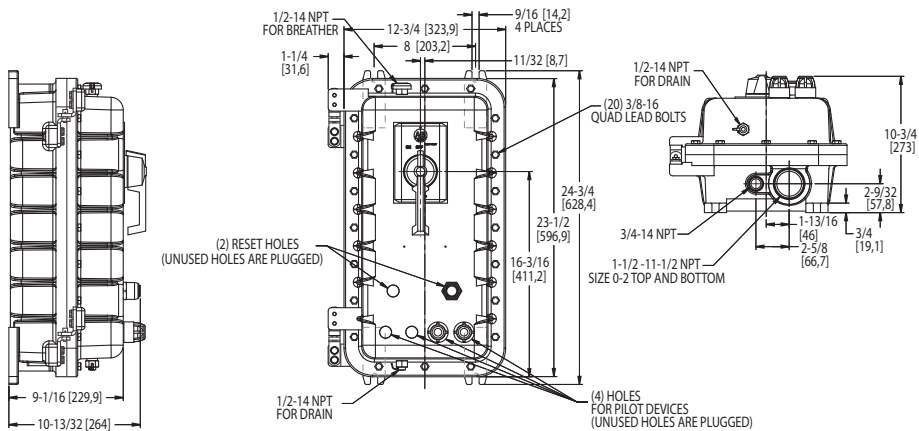
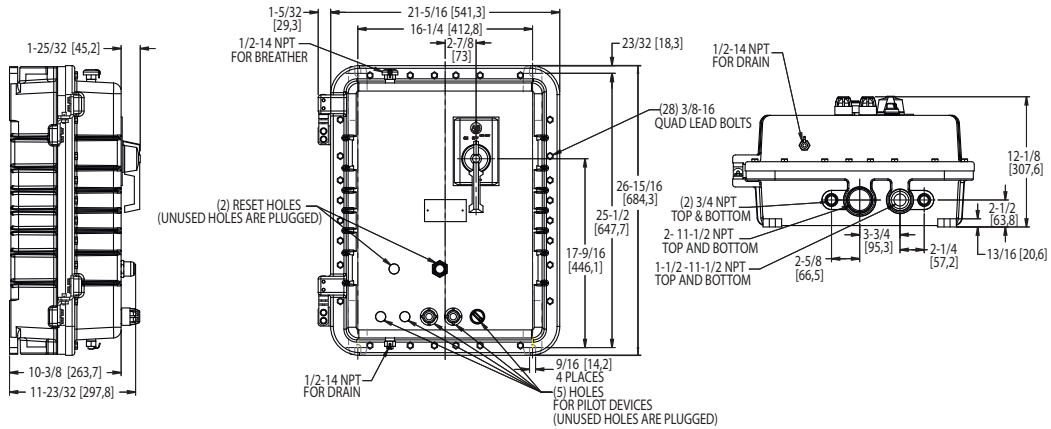


Figure 3B



Approximate dimensions are shown in inches (millimeters). Dimensions are not intended for manufacturing purposes.

**Bulletins 503, 507, 513 Starters (Continued)**

- Bolted Enclosures — Type 3R, 7 & 9, Class I, Groups C & D, Class II, Groups E, F, & G — Divisions 1 & 2

NEMA Size	Bulletins 503 and 513		Bulletin 507	
	with CCT <sup>(1)</sup>	without CCT <sup>(1)</sup>	with CCT <sup>(1)</sup>	without CCT <sup>(1)</sup>
0	Figure 3A	Figure 3A	Figure 3B	Figure 3A
1	Figure 3A	Figure 3A	Figure 3B	Figure 3A
2	Figure 3A	Figure 3A	Figure 3B	Figure 3B
3	Figure 3B	Figure 3B	Figure 3C	Figure 3C
4	Figure 3C	Figure 3C	Figure 3D	Figure 3D
5	Figure 3D	Figure 3D	—	—

(1) CCT = Control circuit transformer

Figure 3C

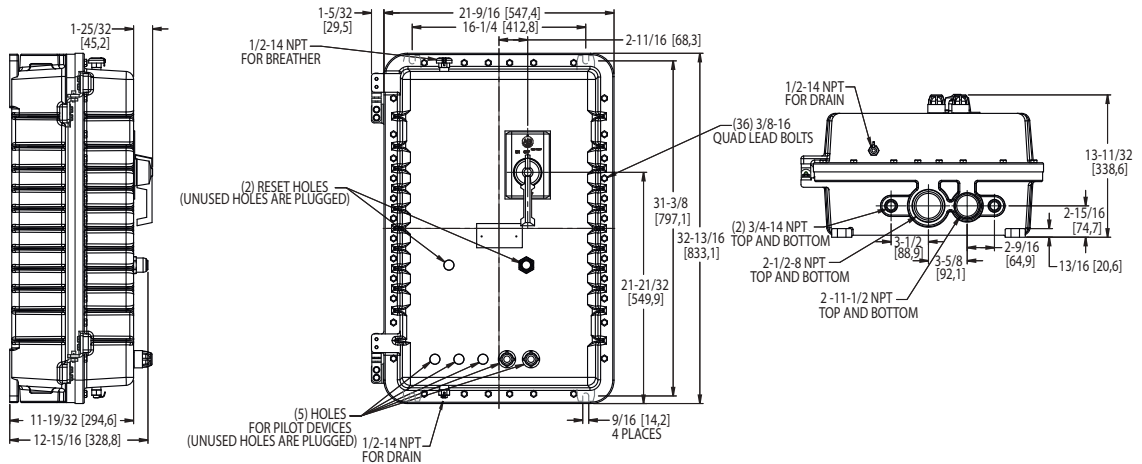
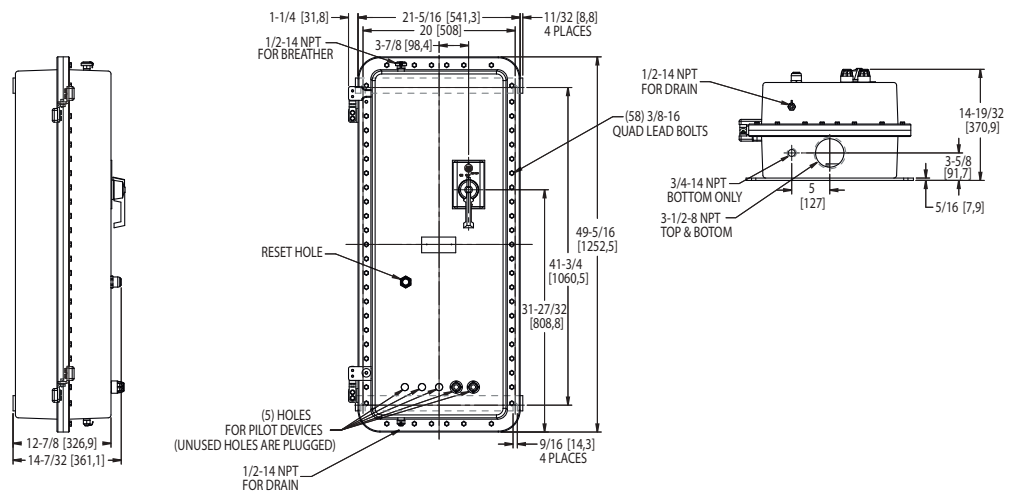


Figure 3D





**Notes:**

## Rockwell Automation Support

Use the following resources to access support information.

<b>Technical Support Center</b>	Knowledgebase Articles, How-to Videos, FAQs, Chat, User Forums, and Product Notification Updates.	<a href="http://www.rockwellautomation.com/knowledgebase">www.rockwellautomation.com/knowledgebase</a>
<b>Local Technical Support Phone Numbers</b>	Locate the phone number for your country.	<a href="http://www.rockwellautomation.com/global/support/get-support-now.page">www.rockwellautomation.com/global/support/get-support-now.page</a>
<b>Direct Dial Codes</b>	Find the Direct Dial Code for your product. Use the code to route your call directly to a technical support engineer.	<a href="http://www.rockwellautomation.com/global/support/direct-dial.page">www.rockwellautomation.com/global/support/direct-dial.page</a>
<b>Literature Library</b>	Installation Instructions, Manuals, Brochures, and Technical Data.	<a href="http://www.rockwellautomation.com/literature">www.rockwellautomation.com/literature</a>
<b>Product Compatibility and Download Center (PCDC)</b>	Get help determining how products interact, check features and capabilities, and find associated firmware.	<a href="http://www.rockwellautomation.com/global/support/pcdc.page">www.rockwellautomation.com/global/support/pcdc.page</a>

## Documentation Feedback

Your comments will help us serve your documentation needs better. If you have any suggestions on how to improve this document, complete the How Are We Doing? form at [http://literature.rockwellautomation.com/idc/groups/literature/documents/du/ra-du002\\_-en-e.pdf](http://literature.rockwellautomation.com/idc/groups/literature/documents/du/ra-du002_-en-e.pdf).

Rockwell Automation maintains current product environmental information on its website at <http://www.rockwellautomation.com/rockwellautomation/about-us/sustainability-ethics/product-environmental-compliance.page>.

Allen-Bradley, Rockwell Automation, SMP, and LISTEN. THINK. SOLVE are trademarks of Rockwell Automation, Inc.  
Trademarks not belonging to Rockwell Automation are property of their respective companies.

Rockwell Otomasyon Ticaret A.Ş., Kar Plaza İş Merkezi E Blok Kat:6 34752 İçerenköy, İstanbul, Tel: +90 (216) 5698400

**[www.rockwellautomation.com](http://www.rockwellautomation.com)**

### Power, Control and Information Solutions Headquarters

Americas: Rockwell Automation, 1201 South Second Street, Milwaukee, WI 53204-2496 USA, Tel: (1) 414.382.2000, Fax: (1) 414.382.4444  
Europe/Middle East/Africa: Rockwell Automation NV, Pegasus Park, De Kleetlaan 12a, 1831 Diegem, Belgium, Tel: (32) 2 663 0600, Fax: (32) 2 663 0640  
Asia Pacific: Rockwell Automation, Level 14, Core F, Cyberport 3, 100 Cyberport Road, Hong Kong, Tel: (852) 2887 4788, Fax: (852) 2508 1846

Publication 500-TD014C-EN-P - March 2017

Supersedes Publication 500-TD014B-EN-P - February 2016

Copyright © 2017 Rockwell Automation, Inc. All rights reserved. Printed in the U.S.A.