

## Air Pressure Switches

- Differential
  - Vacuum
  - Pressure
- Model - JD-2**



Model - JD2

Antunes Controls air proving switches are designed to provide excellent repeatability and dependable, trouble free operation.

### Features:

- Sensitive Diaphragm
- Single Pole Double Throw Snap Action electrical switch
- Visible ON-OFF Indicator in Compact Die-cast Aluminum Housing
- Spring Adjustable Switches - Dual Scales Calibrated in Millimeters and Inches of water Column
- Five Range Scales - from .07" W.C. to a maximum of 35: W.C.
- Set Point Indication
- Rugged Die Cast Aluminum Construction



## Spring Types

### Ranges

<b>BLUE</b>	.07" to 1.7" W.C. (2mm W.C. to 43 mm)
<b>GREY</b>	0.1" to 4" W.C. (3mm W.C. to 102mm)
<b>PURPLE</b>	0.1" to 10" W.C. (3mm W.C. to 250mm)
<b>RED</b>	0.1" to 24" W.C. (3mm W.C. to 600mm)
<b>ORANGE</b>	5" to 35" W.C. (125mm W.C. to 875mm)

**Maximum Operating Pressure:** 35" Water Column

**Maximum Pressure Surge:** 3 PSIG

**Maximum Ambient Operating Temperature:** +140° F (+60° C)

**Minimum Ambient Operating Temperature:** -20° F (-93° C)

Switches manufacture by Antunes Controls are tested, listed and approved by Underwriters laboratories File # MH8009-504, Factory Mutual Serial #18221, Canadian Standards Association File #25144.

## Electrical:

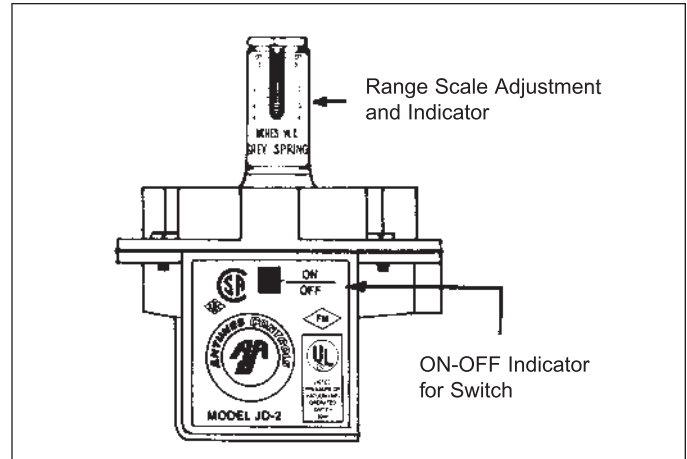
10A, 1/8 HP, 125 VAC  
5A, 1/4 HP, 250 VAC  
Pilot Duty – 125 VA, 125-250 VAC

Field wiring by others must be rated at 90°C for industrial use.

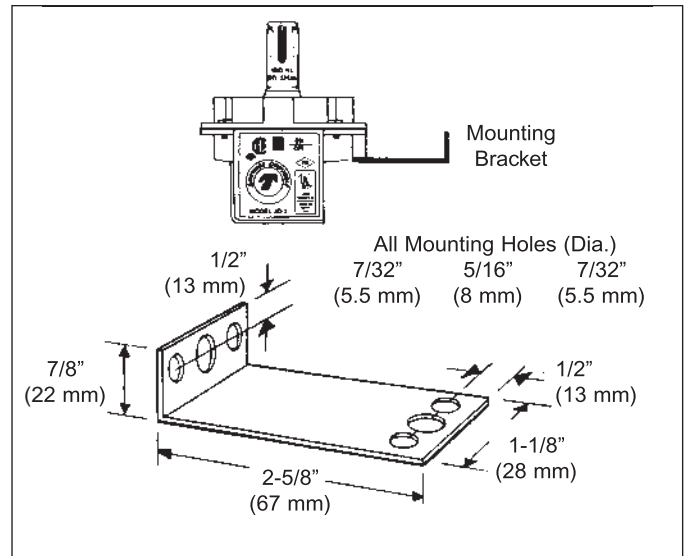
## Options:

**Dust Proof:** Specify "Dust Proof" on order. PN#808000304

**Brackets:** Specify 2 5/8" bracket. PN# 808000303



All switches have two 1/8 NPT inlets, one for pressure and one for vacuum.



## Mounting:

The Model JD-2 is always mounted with the stem up

An optional mounting bracket can be fastened to the bottom section of the switch housing with 5/16-18 x 1/2" bolt (supplied with bracket)

Limitation of Liability. If it is understood and agreed that seller's liability whether in contract, in tort, under any warranty, in negligence or otherwise, shall not exceed the return of the amount of the purchase price paid by purchaser and under no circumstances shall seller be liable for special, indirect or consequential damages. The price stated for the equipment is a consideration in limiting seller's liability. No action, regardless of form, arising out of the transactions may be brought by purchaser more than one year after the cause of action has accrued.