

Model G | Gas Pressure Switches



Model G



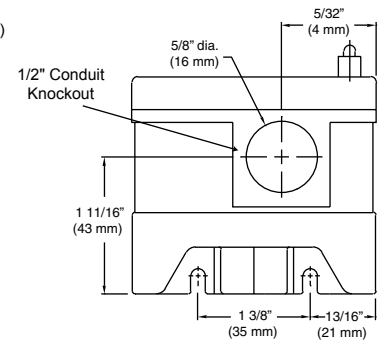
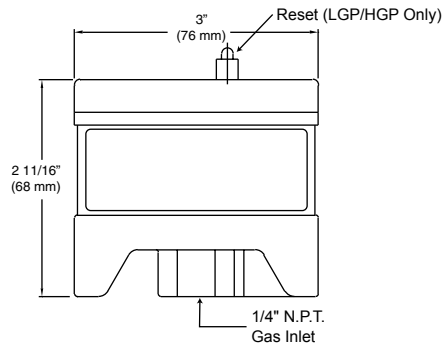
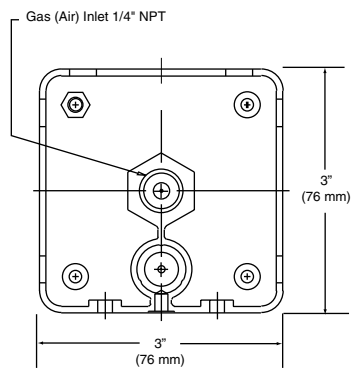
The Model G is a gas pressure switch that monitors pressure and breaks the electrical control circuit when pressure drops below or rises above the desired setpoint. The gas pressure settings are adjustable.

FEATURES

- Compact design.
- Accurate.
- Adjustable setpoints.
- Manual or automatic reset.
- Ventless.
- Cost-effective pricing.
- Custom design per OEM specifications.
- Mounts to any modular valve body.

Model G | Gas Pressure Switches

Dimensions



NOTE: Dimensions are for reference only.

Low Ranges Available

Model	Part No.	W.C.	mbar
LGP-G	8103116202	1"-20"	3-50
LGP-G	8103116303	5"-30"	12.5-75
LGP-G	8103116407	7"-55"	17.5-137
RLGP-G	8104116102	.5"-4"	1.3-10
RLGP-G	8104116203	1"-20"	2.5-50
RLGP-G	8104116304	5"-30"	12.5-75
Model	Part No.	PSI	Bar
RLGP-G	8104118005	1-4	.07-.28

High Ranges Available

Model	Part No.	W.C.	mbar
HGP-G	8101111202	2"-20"	5-50
HGP-G	8101111303	8"-35"	20-87
HGP-G	8101111407	10"-60"	25-150
RHGP-G	8102111102	.8"-4"	2-10
RHGP-G	8102111203	2"-20"	5-50
RHGP-G	8102111304	5"-35"	12.5-87
Model	Part No.	PSI	Bar
RHGP-G	8102113005	1-4	.07-.28

Specifications

Models—Reset

LGP-G: Single Unit, Lo-Pressure
HGP-G: Single Unit, Hi-Pressure

Models—Recycle

RLGP-G: Single Unit,
Lo-Pressure
RHGP-G: Single Unit,
Hi-Pressure

Electrical Ratings

10A @ 125 VAC
10A @ 250 VAC
1/3 HP, 125 & 250 VAC

Adjustable Operating Pressure

1" W.C. to 4 PSI (different ranges)

Surge Pressure: 15 PSI (1 Bar)

Max. Operating Pressure:

6 PSI (400 mbar) Automatic Reset

2 PSI (138 mbar) Manual Reset

Ambient Operating Temperature:

-40°F to 140°F (-40°C to 60°C)

Field wiring to be rated @ 60°C for maximum 140°F ambient

Shipping Weight: .5 lbs. (.227 kg)

Options:

- NEMA 3S with Kit
- 4-Pin DIN Connector
- Neon Lamp Indicator
- Side Mounting

Limitation of Liability. If it is understood and agreed that seller's liability whether in contract, in tort, under any warranty, in negligence or otherwise, shall not exceed the return of the amount of the purchase price paid by purchaser and under no circumstances shall seller be liable for special, indirect or consequential damages. The price stated for the equipment is a consideration in limiting seller's liability. No action, regardless of form, arising out of the transactions may be brought by purchaser more than one year after the cause of action has accrued.

P/N 1020374 Rev. B 04/16