

SERIES 1630 | LARGE DIAPHRAGM PRESSURE SWITCHES

FEATURES/BENEFITS

- Visible set point indicator simplifies operation and trouble shooting
- Large diaphragm provides low range accuracy providing precise control
- Current loads of up to 15 amps supports most small electrical loads supporting a broader range of HVAC and Process applications without the need for additional relays and components

APPLICATIONS

- Damper positioning
- Duct air control
- Air conditioning
- Industrial service

DESCRIPTION

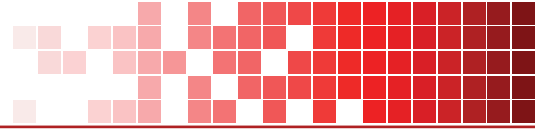
On the **Series 1630** our highest precision conventional large diaphragm pressure switch provides maximum dependability. In addition, it incorporates a visible set point indicator for maximum convenience. UL and CSA listed, FM approved for general service. Electrical capability of 15 amps handles most small electrical loads. For use only with air or compatible gases.



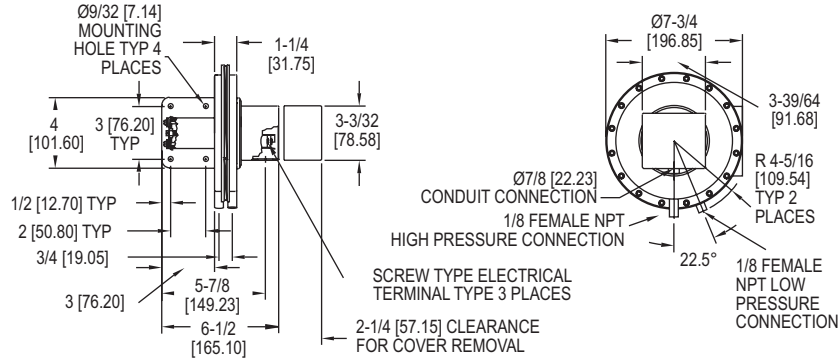
SPECIFICATIONS

Service	Air and non-combustible, compatible gases.
Wetted Materials	Consult factory.
Temperature Limits	-30 to 110°F (-34.4 to 43.3°C).
Pressure Limits	10 psig (68.95 kPa) continuous, 25 psig (172.4 kPa) surge.
Switch Type	SPDT.
Repeatability	±1%.
Electrical Rating	15 A @ 120 to 480 VAC, 60 Hz. Resistive, 1/8 HP @ 125 VAC, 1/4 HP @ 250 VAC, 60 Hz.
Electrical Connections	3 screw type, common, normally open and normally closed.
Process Connections	1/8" female NPT.
Mounting Orientation	Diaphragm in vertical position. Consult factory for other position orientations.
Set Point Adjustment	Screw type with enclosed scale.
Weight	3 lb 3 oz (1.50 kg).
Agency Approvals	CSA, FM, UL.





DIMENSIONS



HOW TO ORDER

Use the **bold** characters from the chart below to construct a product code.

<p>SERIES</p> <p>1635: Pressure switch 1638: Pressure switch with conduit 1639: Pressure switch without conduit</p> <p>RANGE</p> <p>-0: 0.05 to 0.25 in w.c. -1: 0.20 to 1.0 in w.c. -2: 1.0 to 3.0 in w.c. -5: 2.0 to 6.0 in w.c. -10: 3.0 to 12.0 in w.c.</p>	<p>1635 -0 -AT</p>	<p>OPTIONS</p> <p>-AT: Aluminum tag -BGAP: B-gap micro switch -GOLD: Gold contact switch -LC: Less conduit -MIL: MIL switch -PRESET: Preset -ST: Stainless steel tag -WP: Weatherproof housing</p>
---	---	--

ACCESSORIES

Model	Description
A-489	4" straight static pressure tip with flange
A-302F-A	303 SS static pressure tip with mounting flange

Important Notice: Dwyer Instruments, Inc. reserves the right to make changes to or discontinue any product or service identified in this publication without notice. Dwyer advises its customers to obtain the latest version of the relevant information to verify, before placing any orders, that the information being relied upon is current.

