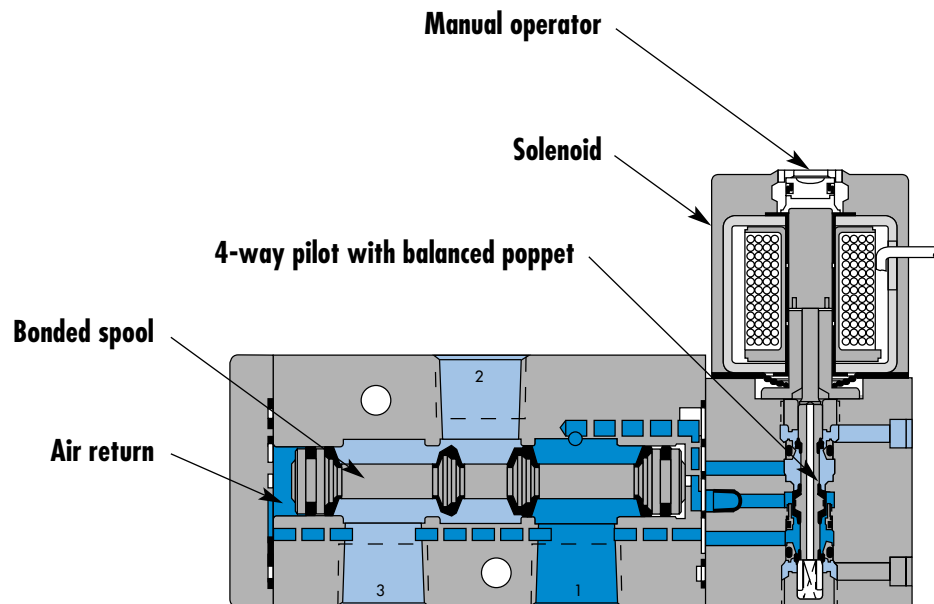


Circuit bar mounting

cylinder ports in valve	add-on style cylinder ports in valve	cylinder ports in base	add-on style cylinder ports in base	add-a-unit stations for CBM052A bar	add-a-unit stations for CBP052A bar
-------------------------	--------------------------------------	------------------------	-------------------------------------	-------------------------------------	-------------------------------------



SERIES FEATURES

- Patented MACSOLENOID[®] for fastest possible response times and virtually burn-out proof AC solenoid operation.
- Optional low watt DC solenoids.
- Various manual operators.
- Optional memory spring.
- Normally closed or normally open valve function.
- May be plugged for 2-way operation.
- Internal or external pilot.

Function	Port size	Flow [Max]	Circuit bar mounting
3/2 NO-NC	1/8" - 1/4"	1.2C_v	cylinder ports in valve

OPERATIONAL BENEFITS

1. The 4-way pilot develops maximum shifting forces both ways.
2. Memory spring available.
3. Balanced spool, immune to variations of pressure, also provides high flow.
4. Short stroke with high flow.
5. Bonded spool with minimum friction, shifting in a glass-like finished bore.
6. Pilot with balanced poppet, high flow, short and consistent response times.
7. Wiping effect eliminates sticking.
8. Long service life.



HOW TO ORDER

52A-xx-xxx-DM-Dxxx-xxx

SOLENOID OPERATOR

Port size	Pilot air	Single operator		Double operator	
		NO valve	NC valve	NO valve	NC valve
1/8" NPTF	Internal	<input type="radio"/> 52A-31-AOA-DM-Dxxx-xxx	<input type="radio"/> 52A-11-AOA-DM-Dxxx-xxx	<input type="radio"/> 52A-41-AOA-DM-Dxxx-xxx	<input type="radio"/> 52A-21-AOA-DM-Dxxx-xxx
1/4" NPTF		<input type="radio"/> 52A-31-BOA-DM-Dxxx-xxx	<input type="radio"/> 52A-11-BOA-DM-Dxxx-xxx	<input type="radio"/> 52A-41-BOA-DM-Dxxx-xxx	<input type="radio"/> 52A-21-BOA-DM-Dxxx-xxx
1/8" NPTF	External	<input type="radio"/> 52A-31-AOC-DM-Dxxx-xxx	<input type="radio"/> 52A-11-AOC-DM-Dxxx-xxx	<input type="radio"/> 52A-41-AOC-DM-Dxxx-xxx	<input type="radio"/> 52A-21-AOC-DM-Dxxx-xxx
1/4" NPTF		<input type="radio"/> 52A-31-BOC-DM-Dxxx-xxx	<input type="radio"/> 52A-11-BOC-DM-Dxxx-xxx	<input type="radio"/> 52A-41-BOC-DM-Dxxx-xxx	<input type="radio"/> 52A-21-BOC-DM-Dxxx-xxx

SOLENOID OPERATOR >

D **XX X - X XX***

XX	Voltage	X	Wire length	X	Manual operator	XX	Electrical connection
<input type="radio"/> JA	120/60, 110/50	<input type="radio"/> A	18" (Flying leads)	<input type="radio"/> 1	Non-locking	<input type="radio"/> KA	Square connector
<input type="radio"/> JB	240/60, 220/50	<input type="radio"/> J	Connector	<input type="radio"/> 2	Locking	<input type="radio"/> KD	Square connector with light
<input type="radio"/> JC	24/60, 24/50	<input type="radio"/> x	Other Options	<input type="radio"/> x	Other Options	<input type="radio"/> JB	Rectangular connector
<input type="radio"/> DA	24VDC (5.4 W)					<input type="radio"/> JD	Rectangular connector with light
<input type="radio"/> FB	24VDC (1.8 W)					<input type="radio"/> BA	Flying leads
<input type="radio"/> DF	24VDC (12.7 W)					<input type="radio"/> xx	Other Options
<input type="radio"/> xx	Other Options						

CBM052A-xxxxx-xx

HOW TO ORDER CIRCUIT BAR **

Port size	Pilot air	Spacing standard 19,5 mm	Spacing 26 mm (Rectangular connector)
3/8" NPTF	Internal	<input type="radio"/> CBM052A-00AAA-xx	<input type="radio"/> CBM052A-02AAA-xx
	External	<input type="radio"/> CBM052A-00CAA-xx	<input type="radio"/> CBM052A-02CAA-xx

Number of stations (03=3 stations)
 ** Other options available. Consult factory.

OPTIONS

52A-31-AOA-DM-Dxxx-xxx

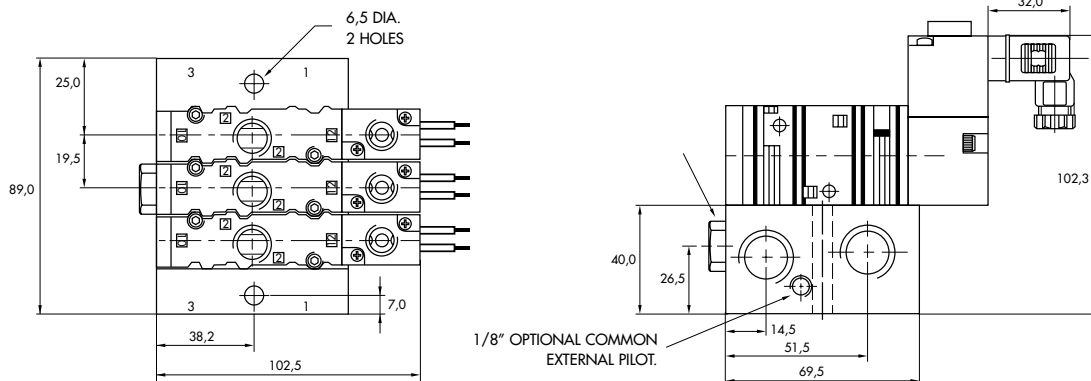
clic for memory spring (replace by 4).

**TECHNICAL
DATA**

Fluid :	Compressed air, vacuum, inert gases
Pressure range :	Internal pilot : 20 - 150 PSI External pilot : vacuum to 150 PSI
Pilot pressure :	20 - 150 PSI
Lubrication :	Not required, if used select a medium aniline point lubricant (between 180°F to 210°F)
Filtration :	40 µ
Temperature range :	0°F to 120°F (-18°C to +50°C)
Orifice :	7.3 mm
Flow :	1.2C _v
Coil :	General purpose class A, continuous duty, encapsulated
Voltage range :	-15% to +10% of nominal voltage
Protection :	NEMA 4
Power :	~ Inrush : 10.9 VA Holding : 7.7 VA = 1.8 to 12.7 W
Response times :	24 V= / 5.4 W Energize : 7.3 ms De-energize : 5.3ms 60Hz/6 W Energize : 8-12 ms De-energize : 7-11 ms

- Spare parts : • Pilot valve : DMB-DXXX-XXX-1, including mounting screws 35043 and seal 16524.
- Accessories • Blanking plate : M-04001. • Seal (x3) : 17015-01. • Mounting screw (x2) : 35043.
- Options : • BSPP threads. • Isolation of inlet and/or exhaust.

DIMENSIONS



Function	Port size	Flow [Max]	Circuit bar mounting
3/2 NO-NC	1/8" - 1/4"	1.2C_v	add-on style cylinder ports in valve

OPERATIONAL BENEFITS

1. The 4-way pilot develops maximum shifting forces both ways.
2. Memory spring available.
3. Balanced spool, immune to variations of pressure, also provides high flow.
4. Short stroke with high flow.
5. Bonded spool with minimum friction, shifting in a glass-like finished bore.
6. Pilot with balanced poppet, high flow, short and consistent response times.
7. Wiping effect eliminates sticking.
8. Long service life.



HOW TO ORDER

52A-xx-xxx-DM-Dxxx-xxx

SOLENOID OPERATOR

Port size	Pilot air	Single operator		Double operator	
		NO valve	NC valve	NO valve	NC valve
1/8" NPTF	Internal	<input type="radio"/> 52A-31-AOA-DM-Dxxx-xxx	<input type="radio"/> 52A-11-AOA-DM-Dxxx-xxx	<input type="radio"/> 52A-41-AOA-DM-Dxxx-xxx	<input type="radio"/> 52A-21-AOA-DM-Dxxx-xxx
1/4" NPTF		<input type="radio"/> 52A-31-BOA-DM-Dxxx-xxx	<input type="radio"/> 52A-11-BOA-DM-Dxxx-xxx	<input type="radio"/> 52A-41-BOA-DM-Dxxx-xxx	<input type="radio"/> 52A-21-BOA-DM-Dxxx-xxx
1/8" NPTF	External	<input type="radio"/> 52A-31-AOC-DM-Dxxx-xxx	<input type="radio"/> 52A-11-AOC-DM-Dxxx-xxx	<input type="radio"/> 52A-41-AOC-DM-Dxxx-xxx	<input type="radio"/> 52A-21-AOC-DM-Dxxx-xxx
1/4" NPTF		<input type="radio"/> 52A-31-BOC-DM-Dxxx-xxx	<input type="radio"/> 52A-11-BOC-DM-Dxxx-xxx	<input type="radio"/> 52A-41-BOC-DM-Dxxx-xxx	<input type="radio"/> 52A-21-BOC-DM-Dxxx-xxx

SOLENOID OPERATOR >

D XX X - X XX*

XX	Voltage	X	Wire length	X	Manual operator	XX	Electrical connection
<input type="radio"/> JA	120/60, 110/50	<input type="radio"/> A	18" (Flying leads)	<input type="radio"/> 1	Non-locking	<input type="radio"/> KA	Square connector
<input type="radio"/> JB	240/60, 220/50	<input type="radio"/> J	Connector	<input type="radio"/> 2	Locking	<input type="radio"/> KD	Square connector with light
<input type="radio"/> JC	24/60, 24/50	<input type="radio"/> x	Other Options	<input type="radio"/> x	Other Options	<input type="radio"/> JB	Rectangular connector
<input type="radio"/> DA	24VDC (5.4 W)					<input type="radio"/> JD	Rectangular connector with light
<input type="radio"/> FB	24VDC (1.8 W)					<input type="radio"/> BA	Flying leads
<input type="radio"/> DF	24VDC (12.7 W)					<input type="radio"/> xx	Other Options
<input type="radio"/> xx	Other Options						

CBM052A-xxxxx-xx

HOW TO ORDER CIRCUIT BAR **

Port size	Pilot air	Spacing standard 19,5 mm	Spacing 26 mm (Rectangular connector)
3/8" NPTF	Internal	<input type="radio"/> CBM052A-00ABA-xx	<input type="radio"/> CBM052A-02ABA-xx
	External	<input type="radio"/> CBM052A-00CBA-xx	<input type="radio"/> CBM052A-02CBA-xx

Number of stations (03=3 stations)
 ** Other options available. Consult factory.

Note : add-a-unit stations may be added to above bars. Click here for model numbers.

OPTIONS

52A-31-AOA-DM-Dxxx-xxx

clic for memory spring (replace by 4).

**TECHNICAL
DATA**

Fluid :	Compressed air, vacuum, inert gases		
Pressure range :	Internal pilot : 20 - 150 PSI External pilot : vacuum to 150 PSI		
Pilot pressure :	20 - 150 PSI		
Lubrication :	Not required, if used select a medium aniline point lubricant (between 180°F to 210°F)		
Filtration :	40 µ		
Temperature range :	0°F to 120°F (-18°C to +50°C)		
Orifice :	7.3 mm		
Flow :	1.2C _v		
Coil :	General purpose class A, continuous duty, encapsulated		
Voltage range :	-15% to +10% of nominal voltage		
Protection :	NEMA 4		
Power :	~ Inrush : 10.9 VA Holding : 7.7 VA = 1.8 to 12.7 W		
Response times :	24 V= /5.4 W	Energize : 7.3 ms	De-energize : 5.3ms
	60Hz/6 W	Energize : 8-12 ms	De-energize : 7-11 ms

Spare parts :

- Pilot valve : DMB-DXXX-XXX-1, including mounting screws 35043 and seal 16524.

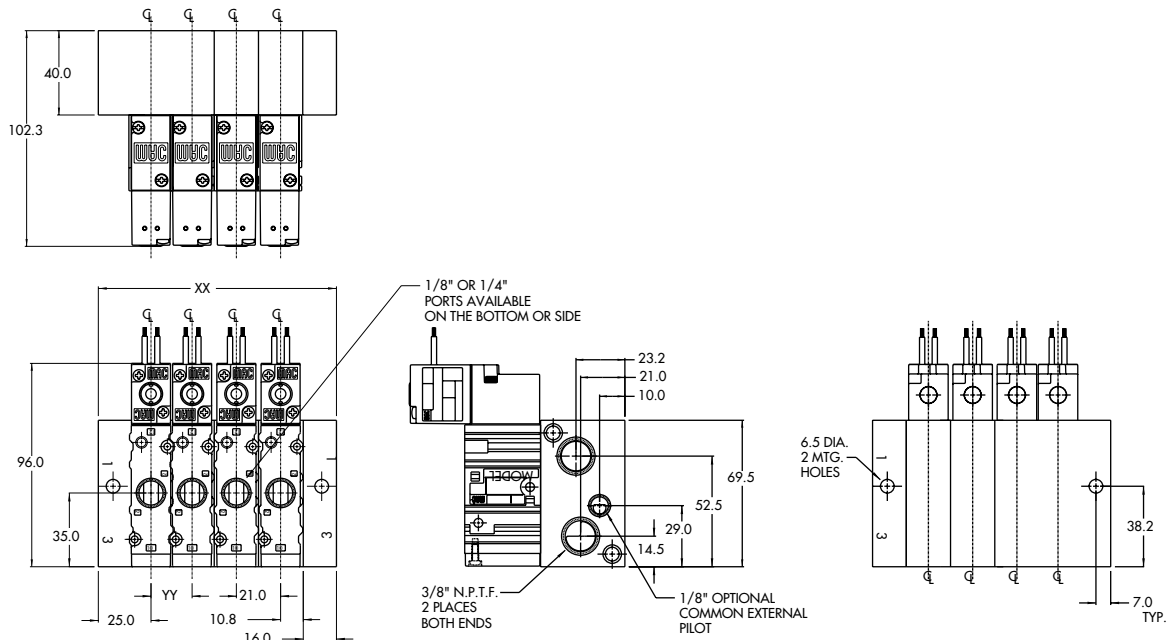
Accessories

- Blanking plate : M-04001. • Seal (x3) : 17015-01. • Mounting screw (x2) : 35043. • End plate kit (Internal) : M-52001-01. • End plate kit (External) : M-52002-01.

Options :

- BSPP threads. • Isolation of inlet and/or exhaust.

DIMENSIONS



YY	XX
19.5	113
26	119.5

Function	Port size	Flow [Max]	Individual mounting
3/2 NO-NC	1/8" - 1/4"	1.2C_v	cylinder ports in base

OPERATIONAL BENEFITS

1. The 4-way pilot develops maximum shifting forces both ways.
2. Memory spring available.
3. Balanced spool, immune to variations of pressure, also provides high flow.
4. Short stroke with high flow.
5. Bonded spool with minimum friction, shifting in a glass-like finished bore.
6. Pilot with balanced poppet, high flow, short and consistent response times.
7. Wiping effect eliminates sticking.
8. Long service life.

Reset



HOW TO ORDER

52A-xx-xxx-DM-Dxxx-xxx

HOW TO ORDER VALVE FOR CIRCUIT BAR MOUNTING

Pilot air	Single operator		Double operator	
	NO valve	NC valve	NO valve	NC valve
Internal				
External				

SOLENOID OPERATOR >

D **XX X - X XX**

XX	Voltage	X	Wire length	X	Manual operator	XX	Electrical connection
<input type="radio"/> JA	120/60, 110/50	<input type="radio"/> A	18" (Flying leads)	<input type="radio"/> 1	Non-locking	<input type="radio"/> KA	Square connector
<input type="radio"/> JB	240/60, 220/50	<input type="radio"/> J	Connector	<input type="radio"/> 2	Locking	<input type="radio"/> KD	Square connector with light
<input type="radio"/> JC	24/60, 24/50	<input type="radio"/> x	Other Options	<input type="radio"/> x	Other Options	<input type="radio"/> JB	Rectangular connector
<input type="radio"/> DA	24VDC (5.4 W)					<input type="radio"/> JD	Rectangular connector with light
<input type="radio"/> FB	24VDC (1.8 W)					<input type="radio"/> BA	Flying leads
<input type="radio"/> DF	24VDC (12.7 W)					<input type="radio"/> xx	Other Options
<input type="radio"/> xx	Other Options						

CBP052A-xxxxx-xx

HOW TO ORDER CIRCUIT BAR **

Port size (NPTF)	Pilot air	Spacing standard 19,5 mm	Spacing 26 mm (Rectangular connector)
1/8" SIDE PORT	Internal	<input type="radio"/> CBP052A-00AAA-xx	<input type="radio"/> CBP052A-02AAA-xx
1/4" SIDE PORT		<input type="radio"/> CBP052A-00AAD-xx	<input type="radio"/> CBP052A-02AAD-xx
1/8" SIDE PORT	External	<input type="radio"/> CBP052A-00EAA-xx	<input type="radio"/> CBP052A-02EAA-xx
1/4" SIDE PORT		<input type="radio"/> CBP052A-00EAD-xx	<input type="radio"/> CBP052A-02EAD-xx
1/8" BOTTOM PORT	Internal	<input type="radio"/> CBP052A-00BAA-xx	<input type="radio"/> CBP052A-02BAA-xx
1/4" BOTTOM PORT		<input type="radio"/> CBP052A-00BAD-xx	<input type="radio"/> CBP052A-02BAD-xx
1/8" BOTTOM PORT	External	<input type="radio"/> CBP052A-00FAA-xx	<input type="radio"/> CBP052A-02FAA-xx
1/4" BOTTOM PORT		<input type="radio"/> CBP052A-00FAD-xx	<input type="radio"/> CBP052A-02FAD-xx

Number of stations (03=3 stations) **

Other options available. Consult factory.

OPTIONS

52A-33-OOA-DM-Dxxx-xxx

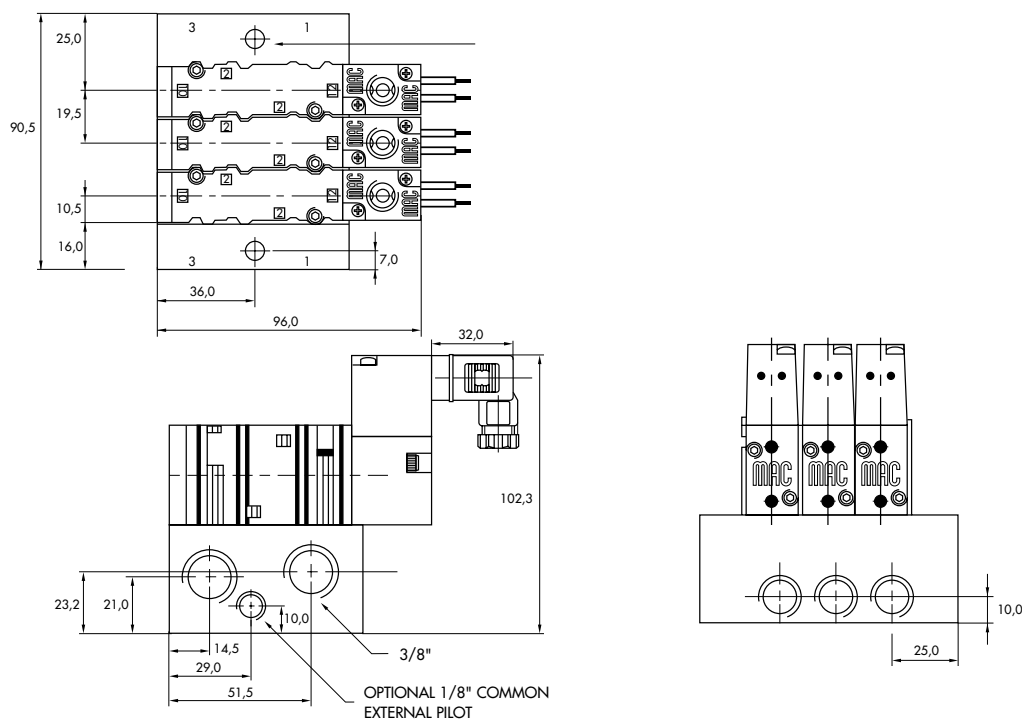
clic for memory spring (replace by 6).

**TECHNICAL
DATA**

Fluid :	Compressed air, vacuum, inert gases
Pressure range :	Internal pilot : 20 - 150 PSI External pilot : vacuum to 150 PSI
Pilot pressure :	20 - 150 PSI
Lubrication :	Not required, if used select a medium aniline point lubricant (between 180°F to 210°F)
Filtration :	40 µ
Temperature range :	0°F to 120°F (-18°C to +50°C)
Orifice :	7.3 mm
Flow :	1.2C _v
Coil :	General purpose class A, continuous duty, encapsulated
Voltage range :	-15% to +10% of nominal voltage
Protection :	NEMA 4
Power :	~ Inrush : 10.9 VA Holding : 7.7 VA = 1.8 to 12.7 W
Response times :	24 V= / 5.4 W Energize : 7.3 ms De-energize : 5.3ms 60Hz / 6 W Energize : 8-12 ms De-energize : 7-11 ms

- Spare parts : • Pilot valve : DMB-DXXX-XXX-1, including mounting screws 35043 and seal 16524.
- Accessories • Blanking plate : M-52003. • Seal (x3) : 17013-01. • Mounting screw (x2) : 35043.
- Options : • BSPP threads. • Isolation of inlet and/or exhaust.

DIMENSIONS

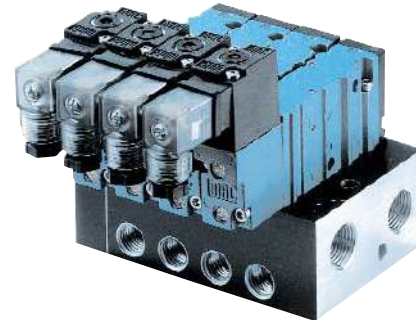


Function	Port size	Flow [Max]	Individual mounting
3/2 NO-NC	1/8" - 1/4"	1.2C_v	add-on style cylinder ports in base

OPERATIONAL BENEFITS

1. The 4-way pilot develops maximum shifting forces both ways.
2. Memory spring available.
3. Balanced spool, immune to variations of pressure, also provides high flow.
4. Short stroke with high flow.
5. Bonded spool with minimum friction, shifting in a glass-like finished bore.
6. Pilot with balanced poppet, high flow, short and consistent response times.
7. Wiping effect eliminates sticking.
8. Long service life.

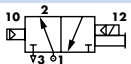
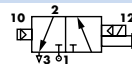
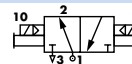
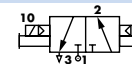
Reset



HOW TO ORDER

52A-xx-xxx-DM-Dxxx-xxx

HOW TO ORDER VALVE FOR CIRCUIT BAR MOUNTING

Pilot air	Single operator		Double operator	
	NO valve	NC valve	NO valve	NC valve
Internal	 <input type="radio"/> 52A-33-OOA-DM-Dxxx-xxx	 <input type="radio"/> 52A-13-OOA-DM-Dxxx-xxx	 <input type="radio"/> 52A-43-OOA-DM-Dxxx-xxx	 <input type="radio"/> 52A-23-OOA-DM-Dxxx-xxx
External	<input type="radio"/> 52A-33-OOC-DM-Dxxx-xxx	<input type="radio"/> 52A-13-OOC-DM-Dxxx-xxx	<input type="radio"/> 52A-43-OOC-DM-Dxxx-xxx	<input type="radio"/> 52A-23-OOC-DM-Dxxx-xxx

SOLENOID OPERATOR >

D **XX X - X XX**

XX	Voltage	X	Wire length	X	Manual operator	XX	Electrical connection
<input type="radio"/> JA	120/60, 110/50	<input type="radio"/> A	18" (Flying leads)	<input type="radio"/> 1	Non-locking	<input type="radio"/> KA	Square connector
<input type="radio"/> JB	240/60, 220/50	<input type="radio"/> J	Connector	<input type="radio"/> 2	Locking	<input type="radio"/> KD	Square connector with light
<input type="radio"/> JC	24/60, 24/50	<input type="radio"/> x	Other Options	<input type="radio"/> x	Other Options	<input type="radio"/> JB	Rectangular connector
<input type="radio"/> DA	24VDC (5.4 W)					<input type="radio"/> JD	Rectangular connector with light
<input type="radio"/> FB	24VDC (1.8 W)					<input type="radio"/> BA	Flying leads
<input type="radio"/> DF	24VDC (12.7 W)					<input type="radio"/> xx	Other Options
<input type="radio"/> xx	Other Options						

CBP052A-xxxxx-xx

HOW TO ORDER CIRCUIT BAR **

Port size (NPTF)	Pilot air	Spacing standard 19,5 mm	Spacing 26 mm (Rectangular connector)
1/8" SIDE PORT	Internal	<input type="radio"/> CBP052A-00ABA-xx	<input type="radio"/> CBP052A-02ABA-xx
1/4" SIDE PORT		<input type="radio"/> CBP052A-00ABD-xx	<input type="radio"/> CBP052A-02ABD-xx
1/8" SIDE PORT	External	<input type="radio"/> CBP052A-00EBA-xx	<input type="radio"/> CBP052A-02EBA-xx
1/4" SIDE PORT		<input type="radio"/> CBP052A-00EBD-xx	<input type="radio"/> CBP052A-02EBD-xx
1/8" BOTTOM PORT	Internal	<input type="radio"/> CBP052A-00BBA-xx	<input type="radio"/> CBP052A-02BBA-xx
1/4" BOTTOM PORT		<input type="radio"/> CBP052A-00BBD-xx	<input type="radio"/> CBP052A-02BBD-xx
1/8" BOTTOM PORT	External	<input type="radio"/> CBP052A-00FBA-xx	<input type="radio"/> CBP052A-02FBA-xx
1/4" BOTTOM PORT		<input type="radio"/> CBP052A-00FBD-xx	<input type="radio"/> CBP052A-02FBD-xx

Number of stations (03=3 stations) **

Other options available. Consult factory.

Note : add-a-unit stations may be added to above bars. Click here for model numbers.

OPTIONS

52A-33-OOA-DM-Dxxx-xxx

clic for memory spring (replace by 6).

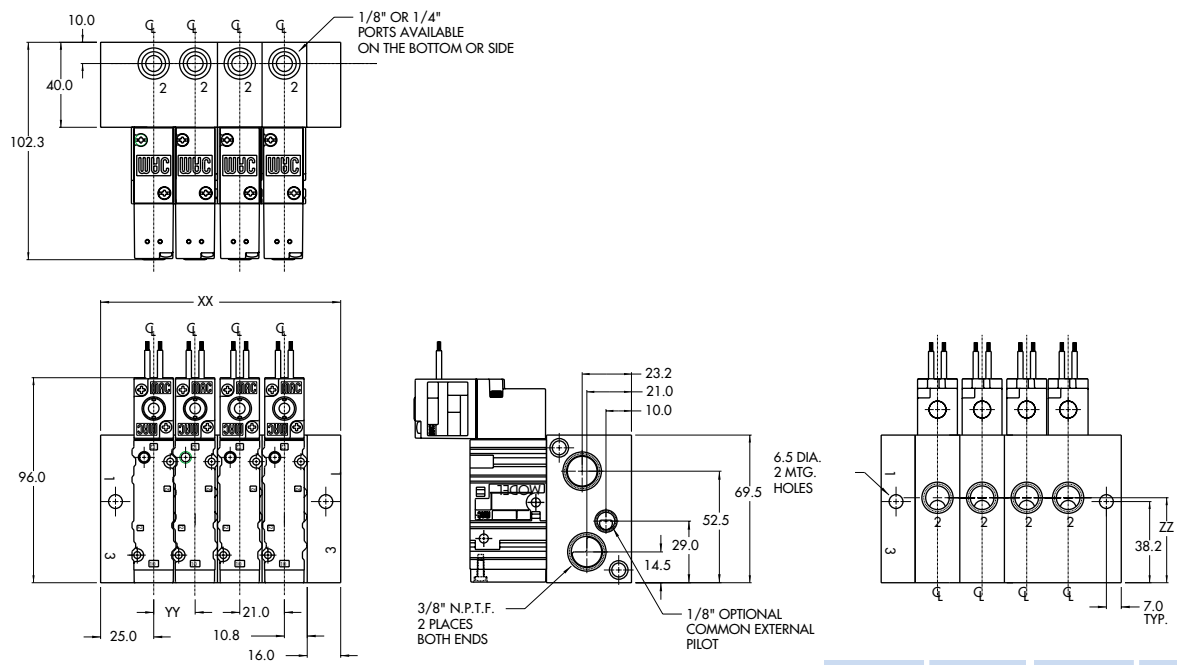
Consult "Precautions" before use, installation or service of MAC Valves.

**TECHNICAL
DATA**

Fluid :	Compressed air, vacuum, inert gases
Pressure range :	Internal pilot : 20 - 150 PSI External pilot : vacuum to 150 PSI
Pilot pressure :	20 - 150 PSI
Lubrication :	Not required, if used select a medium aniline point lubricant (between 180°F to 210°F)
Filtration :	40 µ
Temperature range :	0°F to 120°F (-18°C to +50°C)
Orifice :	7.3 mm
Flow :	1.2C _v
Coil :	General purpose class A, continuous duty, encapsulated
Voltage range :	-15% to +10% of nominal voltage
Protection :	NEMA 4
Power :	~ Inrush : 10.9 VA Holding : 7.7 VA = 1.8 to 12.7 W
Response times :	24 V=/5.4 W Energize : 7.3 ms De-energize : 5.3ms 60Hz/6 W Energize : 8-12 ms De-energize : 7-11 ms

- Spare parts : • Pilot valve : DMB-DXXX-XXX-1, including mounting screws 35043 and seal 16524.
- Accessories • Blanking plate : M-52003. • Seal (x3) : 17013-01. • Mounting screw (x2) : 35043. • End plate kit (Internal) : M-52001-01.
• End plate kit (External) : M-52002-01.
- Options : • BSPP threads. • Isolation of inlet and/or exhaust.

DIMENSIONS



YY	XX	PORT	ZZ
19.5	113	1/8"	36.0
26	119.5	1/4"	40.0

Note: Bottom & side cylinder ports not available on the same station

Function	Port size	Flow [Max]	Circuit bar mounting
3/2 NO-NC	1/8" - 1/4"	1.2C_v	add-a-unit stations for CBM052A bar

OPERATIONAL BENEFITS

1. The 4-way pilot develops maximum shifting forces both ways.
2. Memory spring available.
3. Balanced spool, immune to variations of pressure, also provides high flow.
4. Short stroke with high flow.
5. Bonded spool with minimum friction, shifting in a glass-like finished bore.
6. Pilot with balanced poppet, high flow, short and consistent response times.
7. Wiping effect eliminates sticking.
8. Long service life.



HOW TO ORDER

52A-xx-xxx-DM-Dxxx-xxx

SOLENOID OPERATOR

Port size	Pilot air	Single operator		Double operator	
		NO valve	NC valve	NO valve	NC valve
1/8" NPTF	Internal	<input type="radio"/> 52A-31-AOA-DM-Dxxx-xxx	<input type="radio"/> 52A-11-AOA-DM-Dxxx-xxx	<input type="radio"/> 52A-41-AOA-DM-Dxxx-xxx	<input type="radio"/> 52A-21-AOA-DM-Dxxx-xxx
1/4" NPTF		<input type="radio"/> 52A-31-BOA-DM-Dxxx-xxx	<input type="radio"/> 52A-11-BOA-DM-Dxxx-xxx	<input type="radio"/> 52A-41-BOA-DM-Dxxx-xxx	<input type="radio"/> 52A-21-BOA-DM-Dxxx-xxx
1/8" NPTF	External	<input type="radio"/> 52A-31-AOC-DM-Dxxx-xxx	<input type="radio"/> 52A-11-AOC-DM-Dxxx-xxx	<input type="radio"/> 52A-41-AOC-DM-Dxxx-xxx	<input type="radio"/> 52A-21-AOC-DM-Dxxx-xxx
1/4" NPTF		<input type="radio"/> 52A-31-BOC-DM-Dxxx-xxx	<input type="radio"/> 52A-11-BOC-DM-Dxxx-xxx	<input type="radio"/> 52A-41-BOC-DM-Dxxx-xxx	<input type="radio"/> 52A-21-BOC-DM-Dxxx-xxx

SOLENOID OPERATOR >

D **XX X - X XX***

XX Voltage	X Wire length	X Manual operator	XX Electrical connection
<input type="radio"/> JA 120/60, 110/50	<input type="radio"/> A 18" (Flying leads)	<input type="radio"/> 1 Non-locking	<input type="radio"/> KA Square connector
<input type="radio"/> JB 240/60, 220/50	<input type="radio"/> J Connector	<input type="radio"/> 2 Locking	<input type="radio"/> KD Square connector with light
<input type="radio"/> JC 24/60, 24/50	<input type="radio"/> x Other Options	<input type="radio"/> x Other Options	<input type="radio"/> JB Rectangular connector
<input type="radio"/> DA 24VDC (5.4 W)			<input type="radio"/> JD Rectangular connector with light
<input type="radio"/> FB 24VDC (1.8 W)			<input type="radio"/> BA Flying leads
<input type="radio"/> DF 24VDC (12.7 W)			<input type="radio"/> xx Other Options
<input type="radio"/> xx Other Options			

HOW TO ORDER CIRCUIT BAR **

CBM052A-xxxxx-xx

Port size	Pilot air	Spacing standard 21 mm	Spacing 26 mm (Rectangular connector)
3/8" NPTF	Internal	<input type="radio"/> CBM052A-01AEA-xx	<input type="radio"/> CBM052A-02AEA-xx
	External	<input type="radio"/> CBM052A-01CEA-xx	<input type="radio"/> CBM052A-02CEA-xx

Number of stations (01=1 station)
 ** Other options available. Consult factory.

Note : add-a-unit stations available in lengths up to 4 stations (01, 02, 03 or 04).

OPTIONS

52A-31-AOA-DM-Dxxx-xxx

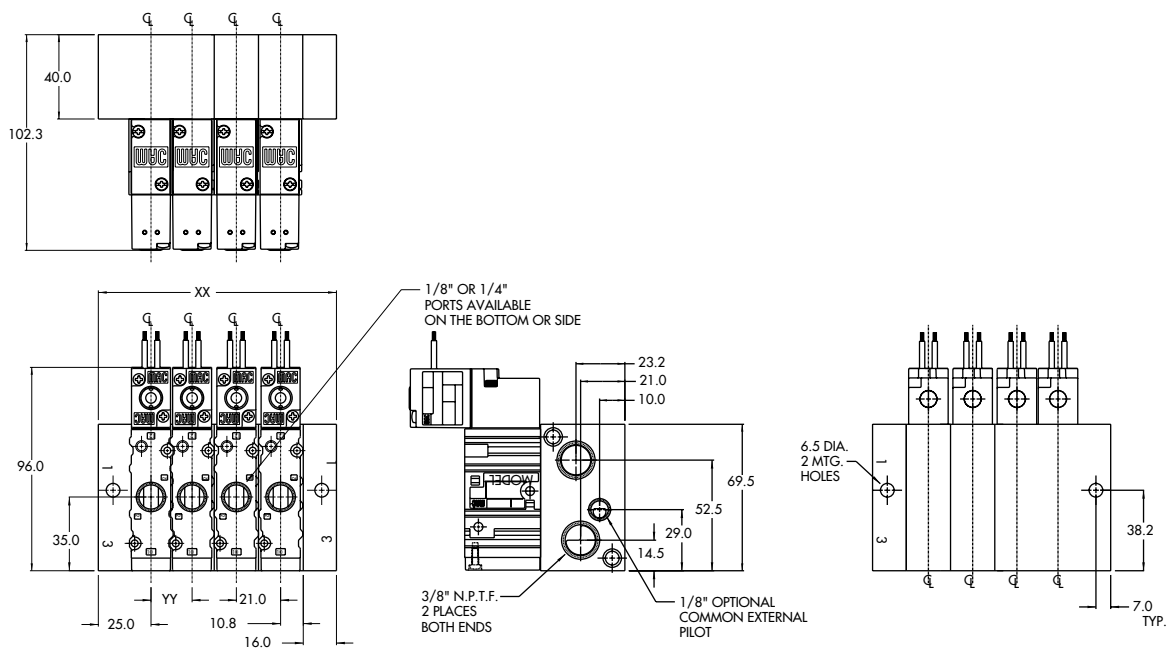
clic for memory spring (replace by 4).

**TECHNICAL
DATA**

Fluid :	Compressed air, vacuum, inert gases		
Pressure range :	Internal pilot : 20 - 150 PSI External pilot : vacuum to 150 PSI		
Pilot pressure :	20 - 150 PSI		
Lubrication :	Not required, if used select a medium aniline point lubricant (between 180°F to 210°F)		
Filtration :	40 µ		
Temperature range :	0°F to 120°F (-18°C to +50°C)		
Orifice :	7.3 mm		
Flow :	1.2C _v		
Coil :	General purpose class A, continuous duty, encapsulated		
Voltage range :	-15% to +10% of nominal voltage		
Protection :	NEMA 4		
Power :	~ Inrush : 10.9 VA Holding : 7.7 VA = 1.8 to 12.7 W		
Response times :	24 V=/5.4 W	Energize : 7.3 ms	De-energize : 5.3ms
	60Hz/6 W	Energize : 8-12 ms	De-energize : 7-11 ms

- Spare parts : • Pilot valve : DMB-DXXX-XXX-1, including mounting screws 35043 and seal 16524.
- Accessories • Blanking plate : M-04001. • Seal (x3) : 17015-01. • Mounting screw (x2) : 35043.
- Options : • BSPP threads. • Isolation of inlet and/or exhaust.

DIMENSIONS



YY	XX
19.5	113
26	119.5

Function	Port size	Flow [Max]	Individual mounting
3/2 NO-NC	1/8" - 1/4"	1.2C_v	add-a-unit stations for CBP052A bar

OPERATIONAL BENEFITS

1. The 4-way pilot develops maximum shifting forces both ways.
2. Memory spring available.
3. Balanced spool, immune to variations of pressure, also provides high flow.
4. Short stroke with high flow.
5. Bonded spool with minimum friction, shifting in a glass-like finished bore.
6. Pilot with balanced poppet, high flow, short and consistent response times.
7. Wiping effect eliminates sticking.
8. Long service life.



HOW TO ORDER

52A-xx-xxx-DM-Dxxx-xxx

HOW TO ORDER VALVE FOR CIRCUIT BAR MOUNTING

Pilot air	Single operator		Double operator	
	NO valve	NC valve	NO valve	NC valve
Internal	52A-33-OOA-DM-Dxxx-xxx	52A-13-OOA-DM-Dxxx-xxx	52A-43-OOA-DM-Dxxx-xxx	52A-23-OOA-DM-Dxxx-xxx
External	52A-33-OOC-DM-Dxxx-xxx	52A-13-OOC-DM-Dxxx-xxx	52A-43-OOC-DM-Dxxx-xxx	52A-23-OOC-DM-Dxxx-xxx

SOLENOID OPERATOR >

D **XX X - X XX**

XX	Voltage	X	Wire length	X	Manual operator	XX	Electrical connection
<input type="radio"/> JA	120/60, 110/50	<input type="radio"/> A	18" (Flying leads)	<input type="radio"/> 1	Non-locking	<input type="radio"/> KA	Square connector
<input type="radio"/> JB	240/60, 220/50	<input type="radio"/> J	Connector	<input type="radio"/> 2	Locking	<input type="radio"/> KD	Square connector with light
<input type="radio"/> JC	24/60, 24/50	<input type="radio"/> x	Other Options	<input type="radio"/> x	Other Options	<input type="radio"/> JB	Rectangular connector
<input type="radio"/> DA	24VDC (5.4 W)					<input type="radio"/> JD	Rectangular connector with light
<input type="radio"/> FB	24VDC (1.8 W)					<input type="radio"/> BA	Flying leads
<input type="radio"/> DF	24VDC (12.7 W)					<input type="radio"/> xx	Other Options
<input type="radio"/> xx	Other Options						

CBP052A-xxxxx-xx

HOW TO ORDER CIRCUIT BAR **

Port size (NPTF)	Pilot air	Spacing standard 21 mm	Spacing 26 mm (Rectangular connector)
1/8" SIDE PORT	Internal	<input type="radio"/> CBP052A-01AEA-xx	<input type="radio"/> CBP052A-02AEA-xx
1/4" SIDE PORT		<input type="radio"/> CBP052A-01AED-xx	<input type="radio"/> CBP052A-02AED-xx
1/8" SIDE PORT	External	<input type="radio"/> CBP052A-01EEA-xx	<input type="radio"/> CBP052A-02EEA-xx
1/4" SIDE PORT		<input type="radio"/> CBP052A-01EED-xx	<input type="radio"/> CBP052A-02EED-xx
1/8" BOTTOM PORT	Internal	<input type="radio"/> CBP052A-01BEA-xx	<input type="radio"/> CBP052A-02BEA-xx
1/4" BOTTOM PORT		<input type="radio"/> CBP052A-01BED-xx	<input type="radio"/> CBP052A-02BED-xx
1/8" BOTTOM PORT	External	<input type="radio"/> CBP052A-01FEA-xx	<input type="radio"/> CBP052A-02FEA-xx
1/4" BOTTOM PORT		<input type="radio"/> CBP052A-01FED-xx	<input type="radio"/> CBP052A-02FED-xx

Number of stations (03=3 stations) **

Other options available. Consult factory.

Note : add-a-unit stations available in lengths up to 4 stations (01, 02, 03 or 04).

OPTIONS

52A-33-OOA-DM-Dxxx-xxx

clic for memory spring (replace by 6).

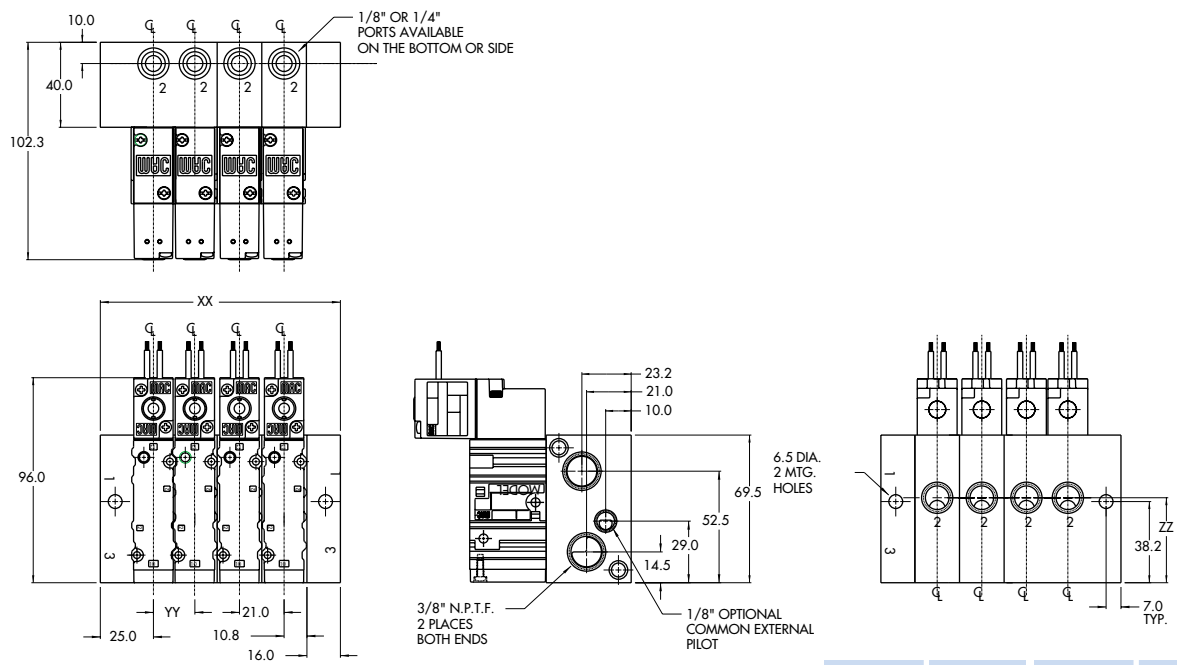
Consult "Precautions" before use, installation or service of MAC Valves.

**TECHNICAL
DATA**

Fluid :	Compressed air, vacuum, inert gases		
Pressure range :	Internal pilot : 20 - 150 PSI External pilot : vacuum to 150 PSI		
Pilot pressure :	20 - 150 PSI		
Lubrication :	Not required, if used select a medium aniline point lubricant (between 180°F to 210°F)		
Filtration :	40 µ		
Temperature range :	0°F to 120°F (-18°C to +50°C)		
Orifice :	7.3 mm		
Flow :	1.2C _v		
Coil :	General purpose class A, continuous duty, encapsulated		
Voltage range :	-15% to +10% of nominal voltage		
Protection :	NEMA 4		
Power :	~ Inrush : 10.9 VA Holding : 7.7 VA = 1.8 to 12.7 W		
Response times :	24 V=5.4 W	Energize : 7.3 ms	De-energize : 5.3ms
	60Hz/6 W	Energize : 8-12 ms	De-energize : 7-11 ms

- Spare parts : • Pilot valve : DMB-DXXX-XXX-1, including mounting screws 35043 and seal 16524.
- Accessories • Blanking plate : M-52003. • Seal (x3) : 17013-01. • Mounting screw (x2) : 35043.
- Options : • BSPP threads. • Isolation of inlet and/or exhaust.

DIMENSIONS



YY	XX	PORT	ZZ
19.5	113	1/8"	36.0
26	119.5	1/4"	40.0

Note: Bottom & side cylinder ports not available on the same station



Section 2

Options



0 p t i o n s

Codification table for voltages / Wire length / Manual operator / Electrical connection

VALVE CODE ➤

DM-DXX X - X XX
1 2 3 4

OPTIONS AVAILABLE FOR

- pilot operated valves 400, 52 & 92 Series

1. VOLTAGE

- D XX	X - X XX	VOLTAGE
<input type="radio"/>	DB	12 VDC (5.4 W)
<input type="radio"/>	DC	12 VDC (7.5 W)
<input type="radio"/>	DD	24 VDC (7.3 W)
<input type="radio"/>	DE	12 VDC (12.7 W)
<input type="radio"/>	DK	110 VDC (5.8 W)
<input type="radio"/>	DJ	28 VDC (5.7 W)
<input type="radio"/>	DL	64 VDC (6.0 W)
<input type="radio"/>	DM	36 VDC (5.8 W)
<input type="radio"/>	DN	6 VDC (6.0 W)
<input type="radio"/>	DR	90 VDC (6,6 W)
<input type="radio"/>	DS	110 VDC (7.3 W), 100 VDC (6.0 W)
<input type="radio"/>	DT	75 VDC (5.6 W)
<input type="radio"/>	DP	48 VDC (5.8 W)
<input type="radio"/>	FA	12 VDC (1.8 W)
<input type="radio"/>	FE	12 VDC (2.4 W)
<input type="radio"/>	FF	24 VDC (2.4 W)
<input type="radio"/>	JD	100/60, 100/50, 110/60

2. WIRE LENGTH

- D XX	X - X XX	WIRE LENGTH
<input type="radio"/>	B	24"
<input type="radio"/>	C	36"
<input type="radio"/>	D	48"
<input type="radio"/>	E	72"
<input type="radio"/>	F	96"



3. MANUAL OPERATOR

- D XX X - X XX	MANUAL OPERATOR
<input type="radio"/> 0	No operator
<input type="radio"/> 1	Non-locking recessed
<input type="radio"/> 2	Locking recessed
<input type="radio"/> 3	Non-locking extended
<input type="radio"/> 4	Locking extended

4. ELECTRICAL CONNECTION

- D XX X - X XX	ELECTRICAL CONNECTION
<input type="radio"/> BA	Flying leads
<input type="radio"/> BK	BA with protection diode
<input type="radio"/> BL	BA with protection varistor
<input type="radio"/> CA	1/2" NPS conduit
<input type="radio"/> JB	Rectangular connector
<input type="radio"/> JD	Rectangular connector with light
<input type="radio"/> JM	Rectangular connector, male only
<input type="radio"/> KA	Square connector
<input type="radio"/> KB	Square connector with protection diode
<input type="radio"/> KC	Square connector with protection varistor
<input type="radio"/> KD	Square connector with light
<input type="radio"/> KE	Square connector with light and protection diode
<input type="radio"/> KF	Square connector with light and protection varistor
<input type="radio"/> KJ	Square connector (male only)
<input type="radio"/> KK	Square connector with protection diode (male only)
<input type="radio"/> KL	Square connector with protection varistor (male only)
<input type="radio"/> TA	Dual tabs
<input type="radio"/> TB	TA with protection diode
<input type="radio"/> TD	TA with light
<input type="radio"/> TE	TA with light and protection diode
<input type="radio"/> TJ	Dual tabs (male only)
<input type="radio"/> TK	TJ with protection diode
<input type="radio"/> TM	TJ with light
<input type="radio"/> TN	TJ with light and protection diode
<input type="radio"/> *DN	Plug-in with diode
<input type="radio"/> *DP	Plug-in with M.O.V.
<input type="radio"/> *DH	Plug-in with diode & ground
<input type="radio"/> *DJ	Plug-in with M.O.V & ground

* These options only apply to the 92 series. All others are for the 400 and 52 series.



PRECAUTIONS CONCERNING THE APPLICATION, INSTALLATION AND SERVICE OF MAC VALVES

The precautions below are important to be read and understood before designing into a system any MAC valve, and before installing or servicing any MAC valve. Improper use, installation or servicing of any MAC valve in some systems could create a hazard to personnel or equipment.

APPLICATION PRECAUTIONS :

INDUSTRIAL USE -

MAC valves are intended for use in industrial pneumatic and/or vacuum systems. They are not intended for consumer use or service. They are general purpose industrial valves with literally thousands of different applications in industrial systems. These products are not inherently dangerous, but they are only a component of an overall system. The system in which they are used must provide adequate safeguards to prevent injury or damage in the event failure occurs, whether it be failure of switches, regulators, cylinders, valves or any other component.

POWER PRESSES -

MAC valves are not designed nor intended to be used to operate and/or control the operation of clutch and/or brake systems on power presses. There are special products on the market for such use.

2-POSITION VALVES -

Some MAC valves are 2-position, 4-way valves. When air is supplied to the inlet port(s) of these valves, there will always be a flow path from the inlet to one of the outlets regardless of which of the two positions the valve is situated. Therefore, if pressurized air retained in the system would present a hazard in the application or servicing of the valve or system, a separate method in the system must be provided to remove the trapped air.

3- POSITION VALVES-

Some MAC valves are 3-position, 4-way valves. These valves are either double solenoid or double remote air operated.

If either of the two operators is in control, air supplied to the inlet port(s) will pass through the valve to one of the outlets as on 2-position, 4-way valves. However, if neither operator is in control, the valve moves to a center position. Listed below are the various center position functions :

A. CLOSED CENTER-

With this type valve, when in the center position all ports are blocked (inlets and exhausts) meaning the air at both outlet ports is trapped. If trapping the air in both outlet ports would present a hazard in the application or servicing, a separate method in the system must be provided to remove the trapped air or this type valve should not be used.

B. OPEN CENTER-

With this type valve, when in the center position, the inlet port(s) is blocked and the two outlet ports are open to the exhaust port(s) of the valve. If having no air in either outlet port would present a hazard in the application or servicing, this type valve should not be used.

C. PRESSURE CENTER-

With this type valve, when in the center position, the inlet port(s) is connected to both outlet ports of the valve. If having pressurized air to either or both outlet ports would present a hazard in the application or servicing of the valve or system, a separate method in the system must be provided to remove the retained air.

OPERATING SPECIFICATIONS -

MAC valves are to be installed only on applications that meet all operating specifications described in the MAC catalog for the valve.

MANUAL OPERATORS-

Most MAC valves can be ordered with manual operators. Manual operators when depressed, are designed to shift the valve to the same position as would the corresponding solenoid or remote air pilot operator if it were activated. Care must be taken to order a type, if any, that will be safe for the physical location of the manual operator in the system. Accidental activation of a manual operator could create a dangerous situation. If intentional or accidental operation of a valve by a manual operator could create a dangerous situation then the "no operator" option should be used.

REMOTE AIR OPERATED VALVES

Pilot valves supplying signal pressure to remote air operated valves should be 3-way valves with adequate supply and exhaust capacity to provide positive pressurizing and exhausting of the pilot supply line. Pilot lines should be open to exhaust when valves are deenergized.

INSTALLATION AND SERVICE PRECAUTIONS :

- A. Do not install or service MAC valves without first making sure both the air and electrical power to the machine are off and that all air has been completely bled from the system.
- B. MAC valves should only be installed and/or serviced by qualified, knowledgeable personnel who understand how the specific valve is to be pneumatically piped and electrically connected (where applicable). Flow paths through the valve are shown in the catalog and on the valve by use of ANSI or ISO type standard and graphic symbols. Do not install unless these symbols and the valve functions and operations are thoroughly understood.
- C. Before service, maintenance, repair or cleaning, consult local distributor or factory for Parts & Operation Sheet and information on proper cleaning and lubrication agents. Do not subject MAC valves' parts to any foreign substance including lubricants and cleaning agents not specifically recommended by MAC valves, Inc.
- D. MAC valves are never to be stepped on while working on a machine. Damage to the valve, or lines to the valve (either air or electrical lines) or accidental activating of a manual operator on the valve could result in a dangerous condition.

WARNING :

Under no circumstances are Mac valves to be used in any application where failure of the valve to operate as intended could jeopardize the safety of the operator or any other person.

- Do not operate outside of pressure range listed on valve label or outside of designated temperature range.
- Air supply must be clean. Contamination of valve can affect proper operation.
- Before attempting to repair, adjust or clean valve, consult catalog, parts & operation sheet, or factory for proper maintenance procedures, lubrication, and cleaning agents. Never attempt to repair or perform other maintenance with air pressure to valve.
- If airline lubrication is used, consult catalog, parts & operation sheet, or factory for recommended lubricants.

LIMITATION OF GUARANTEE

This Guarantee is limited to the replacement or rebuilding of any valve which should fail to operate properly. Valves, under the MAC Guarantee, must be returned (with or without bases) transportation prepaid and received at our factory within the Guarantee period. They will be returned to the customer at the expense of MAC Valves, Inc., and will carry the same guarantee as provided under the Flat Rate Rebuild Program.

DISCLAIMER OF GUARANTEE

No claims for labor, material, time, damage, or transportation are allowable nor will any valve be replaced or rebuilt under this guarantee which has been damaged by the purchaser not in the normal course of its use and maintenance during the warranty period. The guarantee does not apply to loss or damage caused by fire, theft, riot, explosion, labor dispute, act of God, or other causes beyond the control of MAC Valves, Inc. MAC Valves, Inc. shall in no event be liable for remote, special or consequential damages under the MAC Guarantee, nor under any implied warranties, including the implied warranty of merchantability.

The above Guarantee is our manner of extending the engineering and service resources of the MAC Valves, Inc. organization to assure our customer long, and continued satisfaction.