



Item no: 0125173

Pleated rod filter Ø125 L=220 cpl, ATEX

To filter dust and other small particles from the vacuum flow. Reduces the risk of operation breakdown or stoppage in the pump. There is a selection ATEX approved filters.


- Suitable for fine powders, for example toner.
- Fulfils the requirements of FDA, EC No. 1935/2004 and EC No. 10/2011.
- The grey pleated rod filter is antistatic and in compliance with ATEX.

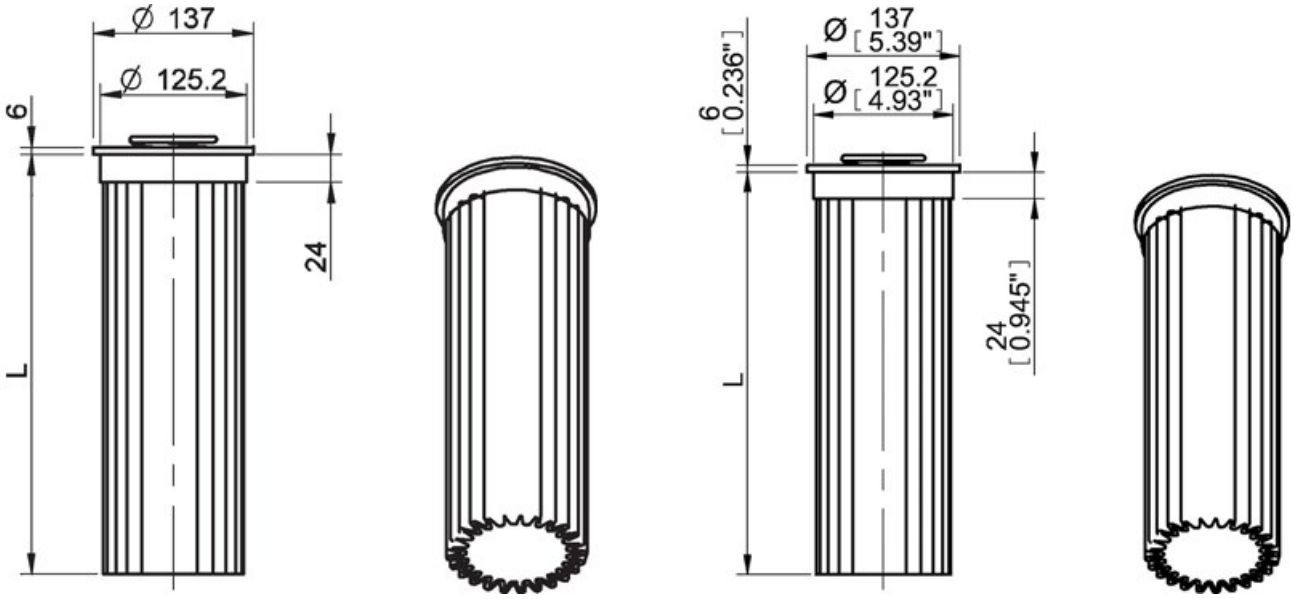
General

Material	PUR, PE, PTFE, ASTM301, C
Filter area	1400 cm ²
Particle size, min.	0.5 μm
Temperature, max.	70 °C
Weight	1.24 kg

Dimension

Length (L)	220 mm
Outer diameter	125.2 - 137 mm

Dimensional drawings 



Spare parts

0103953/1 | Filter seal 125, NBR