

# Spare Part List W+ Pump



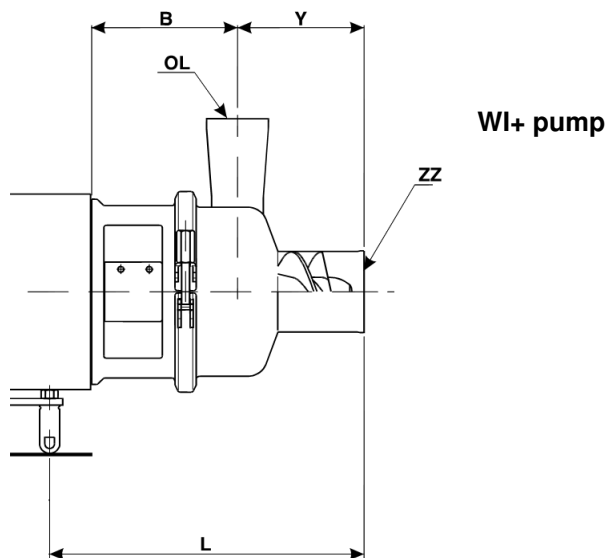
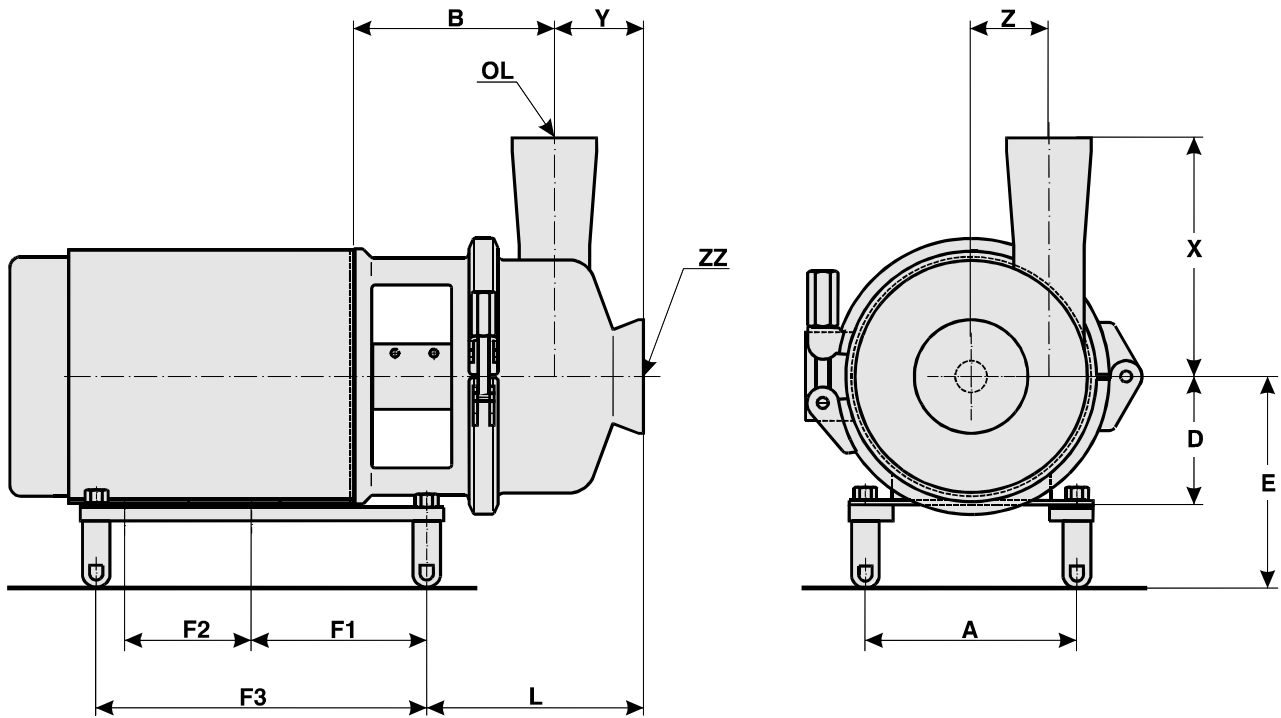


## Table of content

<b>Pos.</b>		<b>Page</b>
<b>7.1</b>	<b>Pump Dimensions</b>	<b>2</b>
<b>7.2</b>	<b>Spare Part List Comp.</b>	<b>7</b>
<b>7.3</b>	<b>Impeller</b>	<b>9</b>
<b>7.4</b>	<b>Shaft Seal</b>	<b>11</b>
7.4.1	Fixing Kit	11
7.4.2	Face Kit	12
<b>7.5</b>	<b>Seal Kit Comp.</b>	<b>13</b>
<b>7.6</b>	<b>Shaft</b>	<b>14</b>
<b>7.7</b>	<b>Extension Frame with Shaft Guard</b>	<b>15</b>
<b>7.8</b>	<b>Frame</b>	<b>17</b>

## 7.1 Pump Dimensions

W+



Inlet/Outlet Size	Bevel Seat	Threaded PV	TRI Clamp	APC Clamp	ISS	Male Pipe Thread	150#Flange
1.5" (38 mm)	0.687" (17 mm)	0.687" (17 mm)	1.125" (29 mm)	0.687" (17 mm)	1.125" (29 mm)	1.625" (41 mm)	1.187" (30 mm)
2.0" (51 mm)	0.750" (19 mm)	0.750" (19 mm)	1.125" (29 mm)	0.750" (19 mm)	1.125" (29 mm)	1.687" (43 mm)	1.187" (30 mm)
2.5" (63 mm)	0.844" (21 mm)	0.844" (21 mm)	1.125" (29 mm)	0.844" (21 mm)	1.125" (29 mm)	2.187" (55 mm)	1.187" (30 mm)
3.0" (76 mm)	0.906" (23 mm)	0.906" (23 mm)	1.125" (29 mm)	0.906" (23 mm)	1.125" (29 mm)	2.250" (57 mm)	1.500" (38 mm)
4.0" (102 mm)	1.000" (25 mm)	1.000" (25 mm)	1.125" (29 mm)	1.000" (25 mm)	0.844" (21 mm)	2.000" (51 mm)	1.500" (38 mm)
6.0" (152 mm)	N/A	N/A	1.500" (38 mm)	N/A	N/A	O/A	2.156" (55 mm)

## 7.1 Pump Dimensions

W+

Pump Type	Motor Size	F1	F2	F3	D	A	E	L W+	L WI+	B	ZZ	OL	Z	X (Butt weld)	Y (Butt weld)
W+10/8	56C	4.00 (101.6)	3.00 (76.2)	8.5 (215.9)	3.50 (88.9)	4.88 (123.9)	7.00 (177.8)	5.10 (129)	-----	5.43 (138)	1.5 (38.6)	1.0 (25.4)	1.772 (45)	3.35 (85)	1.26 (32)
	143TC	3.75 (93.5)	4.00 (101.6)	10.25 (260.4)		5.50 (139.7)		5.15 (131)							
	145TC	5.00 (127)													
W+22/20	56C	4.00 (101.6)	3.00 (76.2)	8.5 (215.9)	3.50 (88.9)	4.88 (123.9)	7.00 (177.8)	5.72 (145)	8.95 (227)	5.98 (152)	2.0 (51.6)	2.0 (51.6)	2.60 (66)	8.47 (215)	1.34 (34)
	143TC	3.75 (93.5)	4.00 (101.6)	10.25 (260.4)		5.50 (139.7)		6.25 (159)	9.53 (242)						
	145TC	5.00 (127)													
	182TC	4.37 (111)	4.50 (114.3)	11.37 (288.8)	4.50 (114.3)	7.50 (190.5)	8.00 (203.2)	7.35 (186)	10.55 (268)	7.01 (178)	*WI+ 3.0 (76.1)				*WI+ 4.57 (116)
	184TC	5.50 (139.7)													
W+25/210	213TC	5.38 (136.7)	5.50 (139.7)	13.88 (352.6)	5.25 (133.4)	8.50 (215.9)	8.75 (222.3)	8.95 (227)	15.36 (390)	6.69 (170)	6.06 (154) DN150	4.09 (104) DN100	5.59 (142)	9.33 (237)	3.39 (86)
	215TC	7.0 (177.8)	7.0 (177.8)												
	254TC	6.50 (165.1)	8.25 (209.6)	18.00 (457.2)	6.25 (158.8)	10.00 (254)	9.75 (267.7)	8.96 (228)	15.38 (391)	7.32 (186)					
	256TC	10.00 (254)													
	284TSC	6.50 (165.1)	9.50 (241.3)	19.00 (482.6)	7.00 (177.8)	11.00 (279.4)	10.50 (266.7)	8.13 (207)	14.55 (370)	6.50 (165)					
	286TSC	11.00 (279.4)													
	324TSC	7.00 (177.8)	10.50 (266.7)	20.50 (520.7)	8.00 (203.2)	12.50 (317.5)	11.50 (292.1)	9.16 (233)	15.58 (396)		*WI+ 6.06 (154) DN150				*WI+ 9.80 (249)
	326TSC	12.00 (304.8)													
	364TSC	7.00 (177.8)	11.25 (285.8)	20.50 (520.7)	9.00 (228.6)	14.00 (355.6)	12.50 (342.9)	9.79 (249)	16.21 (412)						
365TSC	12.25 (311.2)														
W+30/80	56C	4.00 (101.6)	3.00 (76.2)	8.5 (215.9)	3.50 (88.9)	4.88 (123.9)	7.00 (177.8)	7.65 (194)	10.84 (275)	6.10 (155)	4.0 (102)	3.0 (76.2)	2.76 (70)	8.47 (215)	3.15 (80)
	143TC	3.75 (93.5)	4.00 (101.6)	10.25 (260.4)		5.50 (139.7)		8.21 (208)	11.38 (289)						
	145TC	5.00 (127)													
	182TC	4.37 (111)	4.50 (114.3)	11.37 (288.8)	4.50 (114.3)	7.50 (190.5)	8.00 (203.2)	9.24 (235)	12.44 (316)	7.09 (180)					
	184TC	5.50 (139.7)													
	213TC	5.38 (136.7)	5.50 (139.7)	13.88 (352.6)	5.25 (133.4)	8.50 (215.9)	8.75 (222.3)	9.11 (231)	12.29 (312)	7.09 (180)	*WI+ 4.0 (102)				*WI+ 6.34 (161)
	215TC	7.0 (177.8)	7.0 (177.8)												
	254TC	6.50 (165.1)	8.25 (209.6)	18.00 (457.2)	6.25 (158.8)	10.00 (254)	9.75 (267.7)	9.11 (232)	12.31 (313)	7.71 (196)					
	256TC	10.00 (254)													
W+30/120	143TC	3.75 (93.5)	4.00 (101.6)	10.25 (260.4)	3.50 (88.9)	5.50 (139.7)	7.00 (177.8)	8.56 (218)	13.47 (342)	6.14 (156)	4.0 (102)	3.0 (76.2)	3.74 (95)	9.84 (250)	3.47 (88)
	145TC	5.00 (127)													
	182TC	4.37 (111)	4.50 (114.3)	11.37 (288.8)	4.50 (114.3)	7.50 (190.5)	8.00 (203.2)	9.63 (245)	14.53 (369)	7.17 (182)					
	184TC	5.50 (139.7)													
	213TC	5.38 (136.7)	5.50 (139.7)	13.88 (352.6)	5.25 (133.4)	8.50 (215.9)	8.75 (222.3)	9.50 (241)	14.38 (365)						
	215TC	7.0 (177.8)	7.0 (177.8)												
	254TC	6.50 (165.1)	8.25 (209.6)	18.00 (457.2)	6.25 (158.8)	10.00 (254)	9.75 (267.7)	9.51 (242)	14.40 (366)	7.80 (198)	*WI+ 4.0 (102)				*WI+ 8.35 (212)
	256TC	10.00 (254)													
	284TSC	6.50 (165.1)	9.50 (241.3)	19.00 (482.6)	7.00 (177.8)	11.00 (279.4)	10.50 (266.7)	8.84 (225)	13.73 (349)	7.13 (181)					
	286TSC	11.00 (279.4)													
	324TSC	7.00 (177.8)	10.50 (266.7)	20.50 (520.7)	8.00 (203.2)	12.50 (317.5)	11.50 (292.1)	10.53 (268)	15.42 (392)	8.19 (208)					
326TSC	12.00 (304.8)														

Tolerances:	Y: +0mm -5mm	X: +5mm -0mm	OL;ZZ: nominal	B: ±5mm	L: ±5mm	Others: ±2mm
-------------	-----------------	-----------------	----------------	---------	---------	--------------

## 7.1 Pump Dimensions

**W+**

Pump Type	Motor Size	F1	F2	F3	D	A	E	L	L W+	B	ZZ	OL	Z	X (Butt weld)	Y (Butt weld)
W+35/35	56C	4.00 (101.6)	3.00 (76.2)	8.5 (215.9)	3.50 (88.9)	4.88 (123.9)	7.00 (177.8)	5.33 (145)	8.40 (213)	5.16 (131)	2.5 (63.5)	2.0 (51.6)	3.27 (83)	9.06 (230)	1.77 (45)
	143TC	3.75 (93.5)	4.00 (101.6)	10.25 (260.4)		5.50 (139.7)		8.98 (228)							
	145TC		5.00 (127)												
	182TC	4.37 (111)	4.50 (114.3)	11.37 (288.8)	4.50 (114.3)	7.50 (190.5)	8.00 (203.2)	6.91 (175)	9.96 (253)	6.14 (156)					
	184TC		5.50 (139.7)												
	213TC	5.38 (136.7)	5.50 (139.7)	13.88 (352.6)	5.25 (133.4)	8.50 (215.9)	8.75 (222.3)	6.78 (172)	9.85 (250)	6.14 (156)					
	215TC		7.0 (177.8)												
	254TC	6.50 (165.1)	8.25 (209.6)	18.00 (457.2)	6.25 (158.8)	10.00 (254)	9.75 (267.7)	6.79 (173)	9.87 (251)	6.77 (172)					
256TC		10.00 (254)													
W+35/55	56C	4.00 (101.6)	3.00 (76.2)	8.5 (215.9)	3.50 (88.9)	4.88 (123.9)	7.00 (177.8)	6.23 (158)	10.00 (254)	5.75 (146)	3.0 (76.7)	2.5 (63.5)	3.15 (80)	8.27 (210)	2.09 (53)
	143TC	3.75 (93.5)	4.00 (101.6)	10.25 (260.4)		5.50 (139.7)		6.80 (172)	10.55 (268)						
	145TC		5.00 (127)												
	182TC	4.37 (111)	4.50 (114.3)	11.37 (288.8)	4.50 (114.3)	7.50 (190.5)	8.00 (203.2)	7.82 (198)	12.44 (316)	6.73 (171)					
	184TC		5.50 (139.7)												
	213TC	5.38 (136.7)	5.50 (139.7)	13.88 (352.6)	5.25 (133.4)	8.50 (215.9)	8.75 (222.3)	7.69 (195)	14.14 (359)	6.73 (171)					
	215TC		7.0 (177.8)												
	254TC	6.50 (165.1)	8.25 (209.6)	18.00 (457.2)	6.25 (158.8)	10.00 (254)	9.75 (267.7)	7.70 (195)	18.45 (468)	7.36 (187)					
256TC		10.00 (254)													
W+50/8	143TC	3.75 (93.5)	4.00 (101.6)	10.25 (260.4)	3.50 (88.9)	5.50 (139.7)	7.00 (177.8)	5.85 (149)	---	5.40 (137)	1.5 (38.6)	1.0 (25.6)	4.25 (108)	5.91 (150)	1.50 (38)
	145TC		5.00 (127)												
	182TC	4.37 (111)	4.50 (114.3)	11.37 (288.8)	4.50 (114.3)	7.50 (190.5)	8.00 (203.2)	6.91 (176)							
	184TC		5.50 (139.7)												
	213TC	5.38 (136.7)	5.50 (139.7)	13.88 (352.6)	5.25 (133.4)	8.50 (215.9)	8.75 (222.3)	6.78 (172)							
	215TC		7.0 (177.8)												
W+55/35	56C	4.00 (101.6)	3.00 (76.2)	8.5 (215.9)	3.50 (88.9)	4.88 (123.9)	7.00 (177.8)	6.75 (171)	9.15 (232)	5.47 (139)	2.5 (64.1)	1.5 (38.6)	4.25 (108)	7.68 (195)	2.87 (73)
	143TC	3.75 (93.5)	4.00 (101.6)	10.25 (260.4)		5.50 (139.7)		7.31 (185)	9.71 (246)						
	145TC		5.00 (127)												
	182TC	4.37 (111)	4.50 (114.3)	11.37 (288.8)	4.50 (114.3)	7.50 (190.5)	8.00 (203.2)	8.37 (212)	10.77 (273)	6.50 (165)					
	184TC		5.50 (139.7)												
	213TC	5.38 (136.7)	5.50 (139.7)	13.88 (352.6)	5.25 (133.4)	8.50 (215.9)	8.75 (222.3)	8.24 (209)	10.64 (270)						
	215TC		7.0 (177.8)												
	254TC	6.50 (165.1)	8.25 (209.6)	18.00 (457.2)	6.25 (158.8)	10.00 (254)	9.75 (267.7)	8.25 (209)	10.65 (270)	7.13 (181)					
256TC		10.00 (254)													

Tolerances:	Y: +0mm -5mm	X: +5mm -0mm	OL,ZZ: nominal	B: ±5mm	L: ±5mm	Others: ±2mm
-------------	-----------------	-----------------	----------------	---------	---------	--------------

## 7.1 Pump Dimensions

W+

Pump Type	Motor Size	F1	F2	F3	D	A	E	L	L W+	B	ZZ	OL	Z	X (Butt weld)	Y (Butt weld)	
W+55/60	143TC	3.75 (93.5)	4.00 (101.6)	10.25 (260.4)	3.50 (88.9)	5.50 (139.7)	7.00 (177.8)	7.62 (193)	10.49 (266)	5.63 (143)	6.65 (169)	3.0 (76.1)	2.0 (51.6)	3.94 (100)	8.66 (220)	3.03 (77)
	145TC		5.00 (127)													
	182TC	4.37 (111)	4.50 (114.3)	11.37 (288.8)	4.50 (114.3)	7.50 (190.5)	8.00 (203.2)	8.69 (221)	11.57 (294)							
	184TC		5.50 (139.7)													
	213TC	5.38 (136.7)	5.50 (139.7)	13.88 (352.6)	5.25 (133.4)	8.50 (215.9)	8.75 (222.3)	8.55 (217)	11.42 (290)							
	215TC		7.0 (177.8)													
	254TC	6.50 (165.1)	8.25 (209.6)	18.00 (457.2)	6.25 (158.8)	10.00 (254)	9.75 (267.7)	8.56 (217)	11.42 (290)	7.28 (185)						
	256TC		10.00 (254)													
	284TSC	6.50 (165.1)	9.50 (241.3)	19.00 (482.6)	7.00 (177.8)	11.00 (279.4)	10.50 (266.7)	7.89 (201)	10.79 (274)	6.61 (168)						
	286TSC		11.00 (279.4)													
	324TSC	7.00 (177.8)	10.50 (266.7)	20.50 (520.7)	8.00 (203.2)	12.50 (317.5)	11.50 (292.1)	8.96 (227)	11.81 (300)	7.68 (195)						
	326TSC		12.00 (304.8)													
W+60/110	182TC	4.37 (111)	4.50 (114.3)	11.37 (288.8)	4.50 (114.3)	7.50 (190.5)	8.00 (203.2)	8.45 (215)	13.45 (342)	6.77 (172)	4.0 (102)	3.0 (76.1)	4.17 (106)	11.42 (290)	2.68 (68)	
	184TC		5.50 (139.7)													
	213TC	5.38 (136.7)	5.50 (139.7)	13.88 (352.6)	5.25 (133.4)	8.50 (215.9)	8.75 (222.3)	8.32 (211)	13.32 (338)							
	215TC		7.0 (177.8)													
	254TC	6.50 (165.1)	8.25 (209.6)	18.00 (457.2)	6.25 (158.8)	10.00 (254)	9.75 (267.7)	8.33 (212)	13.33 (339)							7.40 (188)
	256TC		10.00 (254)													
	284TSC	6.50 (165.1)	9.50 (241.3)	19.00 (482.6)	7.00 (177.8)	11.00 (279.4)	10.50 (266.7)	7.70 (195)	12.70 (322)							6.77 (172)
	286TSC		11.00 (279.4)													
	324TSC	7.00 (177.8)	10.50 (266.7)	20.50 (520.7)	8.00 (203.2)	12.50 (317.5)	11.50 (292.1)	8.76 (222)	13.76 (349)							7.84 (199)
	326TSC		12.00 (304.8)													
W+65/350	213TC	5.38 (136.7)	5.50 (139.7)	13.88 (352.6)	5.25 (133.4)	8.50 (215.9)	8.75 (222.3)	8.80 (223)	15.04 (382)	6.18 (157)	6.06 (154) DN150	4.09 (104) DN100	4.21 (107)	10.63 (270)	3.74 (95)	
	215TC		7.0 (177.8)													
	254TC	6.50 (165.1)	8.25 (209.6)	18.00 (457.2)	6.25 (158.8)	10.00 (254)	9.75 (267.7)	8.80 (223)	15.04 (382)	6.81 (173)						
	256TC		10.00 (254)													
	284TSC	6.50 (165.1)	9.50 (241.3)	19.00 (482.6)	7.00 (177.8)	11.00 (279.4)	10.50 (266.7)	8.17 (208)	14.45 (367)	6.18 (157)						
	286TSC		11.00 (279.4)													
	324TSC	7.00 (177.8)	10.50 (266.7)	20.50 (520.7)	8.00 (203.2)	12.50 (317.5)	11.50 (292.1)	9.67 (246)	15.94 (405)							
	326TSC		12.00 (304.8)													
	364TSC	7.00 (177.8)	11.25 (285.8)	20.50 (520.7)	9.00 (228.6)	14.00 (355.6)	12.50 (317.5)	8.68 (220)	14.94 (379)	7.68 (195)						
	365TSC		12.25 (311.2)													
405TSC	----	13.75 (349.3)	----	10.000 (254)	16.00 (406.4)	13.50 (342.9)	----	----								

Tolerances:	Y: +0mm -5mm	X: +5mm -0mm	OL,ZZ: nominal	B: ±5mm	L: ±5mm	Others: ±2mm
-------------	-----------------	-----------------	----------------	---------	---------	--------------

## 7.1 Pump Dimensions

W+

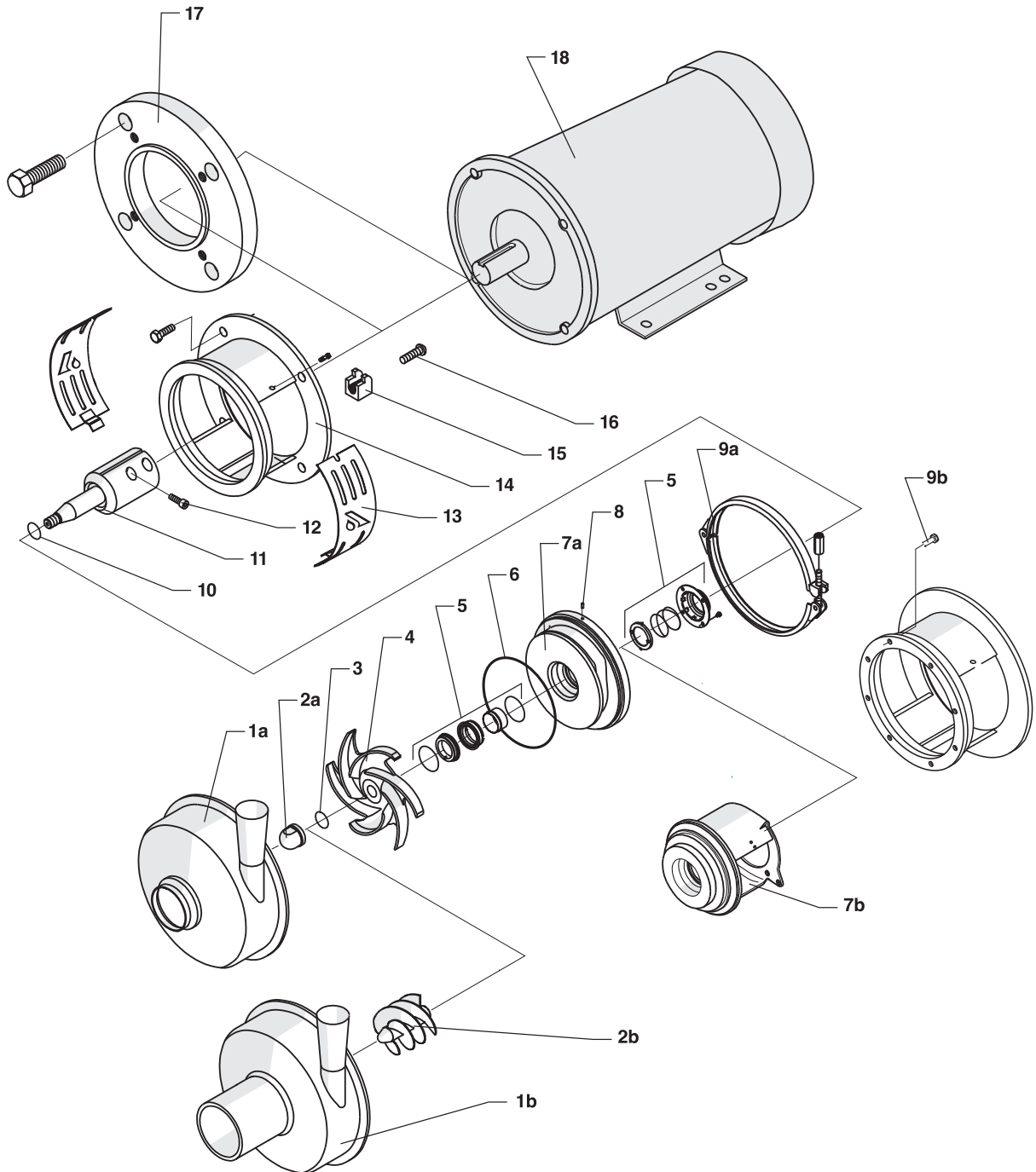
Pump Type	Motor Size	F1	F2	F3	D	A	E	L	L WI+	B	ZZ	OL	Z	X (Butt weld)	Y (Butt weld)
W+70/40	143TC	3.75 (93.5)	4.00 (101.6)	10.25 (260.4)	3.50 (88.9)	5.50 (139.7)	7.00 (177.8)	7.58 (193)	10.27 (261)	6.46 (164)	2.5 (64)	1.5 (38.6)	5.08 (129)	8.86 (225)	2.17 (55)
	145TC		5.00 (127)												
	182TC	4.37 (111)	4.50 (114.3)	11.37 (288.8)	4.50 (114.3)	7.50 (190.5)	8.00 (203.2)	8.57 (218)	11.26 (286)	7.40 (188)					
	184TC		5.50 (139.7)												
	213TC	5.38 (136.7)	5.50 (139.7)	13.88 (352.6)	5.25 (133.4)	8.50 (215.9)	8.75 (222.3)	8.44 (214)	11.10 (282)						
	215TC		7.0 (177.8)												
	254TC	6.50 (165.1)	8.25 (209.6)	18.00 (457.2)	6.25 (158.8)	10.00 (254)	9.75 (267.7)	8.45 (215)	11.14 (283)	8.03 (204)					
	256TC		10.00 (254)												
	284TSC	6.50 (165.1)	9.50 (241.3)	19.00 (482.6)	7.00 (177.8)	11.00 (279.4)	10.50 (266.7)	7.82 (198)	10.47 (266)	7.40 (188)					
	286TSC		11.00 (279.4)												
	324TSC	7.00 (177.8)	10.50 (266.7)	20.50 (520.7)	8.00 (203.2)	12.50 (317.5)	11.50 (292.1)	8.92 (226)	11.57 (294)	8.50 (216)					
326TSC		12.00 (304.8)													
W+80/80	182TC	4.37 (111)	4.50 (114.3)	11.37 (288.8)	4.50 (114.3)	7.50 (190.5)	8.00 (203.2)	8.96 (228)	11.65 (296)		3.0 (76.6)	2.0 (51.8)	5.670 (144)	10.08 (256)	2.76 (70)
	184TC		5.50 (139.7)							7.20 (183)					
	213TC	5.38 (136.7)	5.50 (139.7)	13.88 (352.6)	5.25 (133.4)	8.50 (215.9)	8.75 (222.3)	8.83 (224)	11.50 (292)						
	215TC		7.0 (177.8)												
	254TC	6.50 (165.1)	8.25 (209.6)	18.00 (457.2)	6.25 (158.8)	10.00 (254)	9.75 (267.7)	8.84 (224)	11.50 (292)	7.84 (199)					
	256TC		10.00 (254)												
	284TSC	6.50 (165.1)	9.50 (241.3)	19.00 (482.6)	7.00 (177.8)	11.00 (279.4)	10.50 (266.7)	8.21 (208)	10.87 (276)	7.20 (183)					
	286TSC		11.00 (279.4)												
	324TSC	7.00 (177.8)	10.50 (266.7)	20.50 (520.7)	8.00 (203.2)	12.50 (317.5)	11.50 (292.1)	9.59 (243)	12.24 (311)						
	326TSC		12.00 (304.8)												
	364TSC	7.00 (177.8)	11.25 (285.8)	20.50 (520.7)	9.00 (228.6)	14.00 (355.6)	12.50 (317.5)	10.22 (260)	12.90 (328)	8.58 (218)					
365TSC		12.25 (311.2)													
405TSC	-----	13.75 (349.3)	-----	10.000 (254)	16.00 (406.4)	13.50 (342.9)	-----	-----							
W+110/130	213TC	5.38 (136.7)	5.50 (139.7)	13.88 (352.6)	5.25 (133.4)	8.50 (215.9)	8.75 (222.3)	9.03 (229)	13.35 (339)	6.93 (176)	4.0 (102)	3.0 (76.2)	6.18 (157)	9.06 (230)	3.23 (82)
	215TC		7.0 (177.8)												
	254TC	6.50 (165.1)	8.25 (209.6)	18.00 (457.2)	6.25 (158.8)	10.00 (254)	9.75 (267.7)	9.04 (229)	13.35 (339)	7.56 (192)					
	256TC		10.00 (254)												
	284TSC	6.50 (165.1)	9.50 (241.3)	19.00 (482.6)	7.00 (177.8)	11.00 (279.4)	10.50 (266.7)	8.41 (213)	12.72 (323)	6.93 (176)					
	286TSC		11.00 (279.4)												
	324TSC	7.00 (177.8)	10.50 (266.7)	20.50 (520.7)	8.00 (203.2)	12.50 (317.5)	11.50 (292.1)	10.06 (255)	14.37 (365)						
	326TSC		12.00 (304.8)												
	364TSC	7.00 (177.8)	11.25 (285.8)	20.50 (520.7)	9.00 (228.6)	14.00 (355.6)	12.50 (317.5)	10.69 (271)	15.02 (381)	8.58 (218)					
	365TSC		12.25 (311.2)												
	405TSC	-----	13.75 (349.3)	-----	10.000 (254)	16.00 (406.4)	13.50 (342.9)	-----	-----						

Tolerances:	Y: +0mm -5mm	X: +5mm -0mm	OL;ZZ: nominal	B: ±5mm	L: ±5mm	Others: ±2mm
-------------	-----------------	-----------------	----------------	---------	---------	--------------



**7.2 Spare Parts Comp.**

**W+**



## 7.2 Spare Parts Comp.

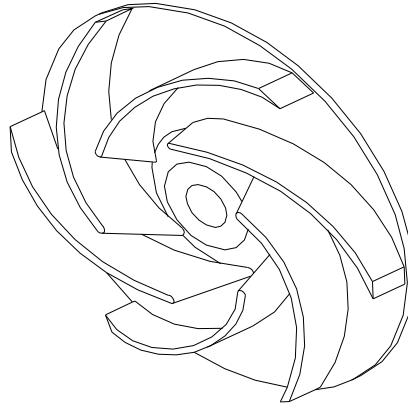
W+

			Pump Type							
			W+10/8	W+22/20	W+30/80	W+25/210	W+35/35	W+35/55	W+30/120	W+50/600
Pos	Qty	Description	Part No.							
1a	1	Pump casing	L273901	L182511	L268510	L253430	L268511	L268512	L268513	
1b	1	Inducer casing	-----	L188600	L188601	L188611	L188602	L188603	L188604	
2a	1	Cap nut	L274383	L274213	L274213	L274214	L274213	L274213	L274214	
2b	1	Inducer	-----	L188248	L188250	L182698	L188248	L188250	L188252	
3	1	O-ring	s/p 13							
4	1	Impeller	s/p 9/10							
5	1	Shaft seal	s/p 11/12							
6	1	O-ring	s/p 13							
7a	1	Back flange	-----	-----	L260949	L260959	L260950	L260951	L260952	
7b	1	Back flange	L273976*	L260973*	-----	-----	-----	-----	-----	
8	1	Pin	-----	-----	L772493	-----	L772493	L772493	L772493	
9a	1	Clamp ring	L169050	L188430	L188436	-----	L188436	L188436	L188432	
9b	8	Screw	-----	-----	-----	L756001	-----	-----	-----	
10	1	O-ring	s/p 13							
11	1	Shaft	s/p 14							
12	2	Screw	s/p 14							
13	2	Shaft guard	s/p 15/16							
14	1	Extension frame	s/p 15/16							
15	2	Bracket	-----	-----	L268499	L701509	L268499	L268499	L268499	-----
16	2	Screw	-----	-----	L701942	L771199	L701942	L701942	L701942	-----
16	4	Screw	-----	-----	-----	-----	-----	-----	-----	L701686
17	1	Flange	s/p 15							
18	1	Motor	see order							
--	--	Frame	s/p 17							
Pos	Qty	Description	W+50/8	W+55/35	W+55/60	W+60/110	W+65/350	W+70/40	W+80/80	W+110/130
1a	1	Pump housing	L273902	L268514	L268515	L268516	L253431	L268517	L268518	L253429
1b	1	Inducer housing	-----	L188605	L188606	L188607	L188612	L188608	L188609	L188610
2a	1	Cap nut	L274383	L274213	L274214	L274214	L274214	L274214	L274214	L274214
2b	1	Inducer	-----	L188248	L188251	L188252	L182698	L188249	L188251	L188252
3	1	O-ring	s/p 13							
4	1	Impeller	s/p 9/10							
5	1	Shaft seal	s/p 11/12							
6	1	O-ring	s/p 13							
7a	1	Back flange	L260961	L260953	L260954	L260955	L260960	L260956	L260957	L260958
8	1	Pin	-----	L772493	L772493	L772493	-----	L772493	L772493	-----
9a	1	Clamp ring	L188431	L188432	L188432	L188433	-----	L188434	L188435	-----
9b	8	Screw	-----	-----	-----	-----	L700234	-----	-----	L701669
10	1	O-ring	s/p 13							
11	1	Shaft	s/p 14							
12	2	Screw	s/p 14							
13	2	Shaft guard	s/p 15/16							
14	1	Extension frame	s/p 15/16							
15	2	Bracket	L268499	L268499	L268499	L268499	L234177	L268499	L268499	L701669
16	2	Screw	L701942	L701942	L701942	L701942	L700241	L701942	L701942	L701686
17	1	Flange	s/p 15							
18	1	Motor	see order							
--	--	Frame	s/p 17							

S/p XX = see page XX  
 \* integrated in extension frame pos. 14

**7.3 Impeller**

**W+**

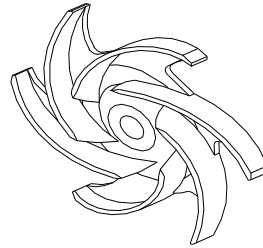


Impeller Ø Semi-Closed	Pump Type				
	W+22/20	W+30/80	W+35/35	W+35/55	W+50/8
	Part No.				
7.9" / Ø200					L267352
7.7" / Ø195					L273903
7.5" / Ø190					L273904
7.3" / Ø185					L273905
7.1" / Ø180				L253751	L273906
6.9" / Ø175			L267000	L253752	L273907
6.7" / Ø170		L261221	L267001	L253753	L273908
6.5" / Ø165		L261222	L267002	L253754	L273909
6.3" / Ø160		L261223	L267003	L253755	L273910
6.1" / Ø155		L261224	L267004	L253756	L273911
5.9" / Ø150		L261225	L267005	L253757	L273912
5.7" / Ø145		L261226	L267006	L253758	L273913
5.5" / Ø140	L253767*	L261227	L267007	L253759	L273914
5.3" / Ø135	L253768	L261228	L267008	L253760	
5.1" / Ø130	L253769	L261229	L267009	L253761	
4.9" / Ø125	L253770	L261230	L267010	L253762	
4.7" / Ø120	L253771	L261231	L267011	L253763	
4.5" / Ø115	L253772	L261232			
4.3" / Ø110	L253773	L261233			
4.1" / Ø105	L253774				
3.9" / Ø100	L253775				
3.7" / Ø95	L253776				

\* 5.6" / Ø142

## 7.3 Impeller

W+



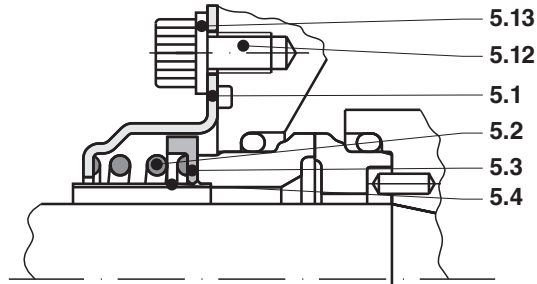
Impeller Ø open	Pump type									
	W+10/8	W+30/120	W+55/35	W+55/60	W+60/110	W+70/40	W+80/80	W+110/130	W+25/210	W+65/350
	Part No.									
11.4" / Ø290								L267057	L267076	
11.2" / Ø285								L267058	L267077	
11.0" / Ø280								L267059	L267078	
10.8" / Ø275								L267060	L267079	
10.6" / Ø270								L267061	L267080	
10.4" / Ø265								L267062	L267081	
10.2" / Ø260								L267063	L267082	L267100
10.0" / Ø255							L267044	L267064	L267083	L267101
9.8" / Ø250							L267045	L267065	L267084	L267102
9.6" / Ø245							L267046	L267066	L267085	L267103
9.4" / Ø240						L267033	L267047	L267067	L267086	L267104
9.3" / Ø235						L267034	L267048	L267068	L267087	L267105
9.1" / Ø230					L267115	L267035	L267049	L267069	L267088	L267106
8.9" / Ø225					L267116	L267036	L267050	L267070	L267089	L267107
8.7" / Ø220				L253777	L267117	L267037	L267051	L267071	L267090	L267108
8.5" / Ø215				L253778	L267118	L267038	L267052	L267072	L267091	L267109
8.3" / Ø210			L267021	L253779	L267119	L267039	L267053	L267073	L267092	L267110
8.1" / Ø205			L267022	L253780	L267120	L267040	L267054	L267074		L267111
7.9" / Ø200			L267023	L253781	L267121	L267041	L267055	L267075		L267112
7.7" / Ø195			L267024	L253782	L267122	L267042	L267056			L267113
7.5" / Ø190			L267025	L253783	L267123	L267043				L267114
7.3" / Ø185			L267026	L253784	L267124					
7.1" / Ø180			L267027	L253785	L267125					
6.9" / Ø175		L267012	L267028	L253786	L267126					
6.7" / Ø170		L267013	L267029	L253787	L267127					
6.5" / Ø165		L267014	L267030	L253788	L267128					
6.3" / Ø160		L267015	L267031	L253789	L267129					
6.1" / Ø155		L267016	L267032							
5.9" / Ø150		L267017								
5.7" / Ø145		L267018								
5.5" / Ø140		L267019								
5.3" / Ø135		L267020								
4.3" / Ø110	L267347									
4.1" / Ø105	L267348									
3.9" / Ø100	L267349									
3.7" / Ø95	L267350									
3.5" / Ø90	L267351									

## 7.4 Shaft Seal

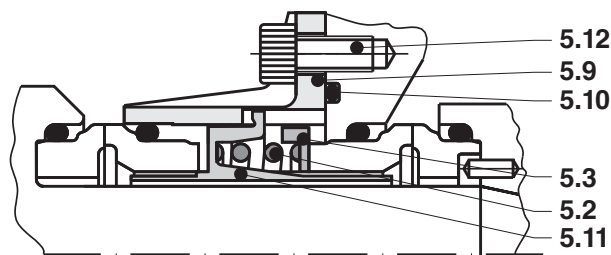
W+

### 7.4.1 Fixing Kit

A. Single Seat Ø25+Ø35



B. Double Seat Ø25+Ø35



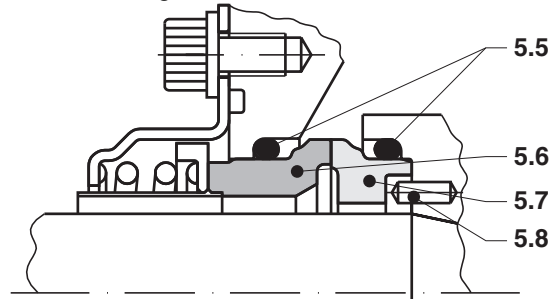
Fixing Kit				Shaft Size	
				Ø25	Ø35
Pos	Description	Items	Material	Part No.	
A	Single Seal	Complete	-----	L772460	L772465
		Pos 5.1 Seal housing	AISI 316		
		Pos 5.2 Spring	AISI 316		
		Pos 5.3 Pressure ring	AISI 316		
		Pos 5.4 Drain pipe	PTFE	(L773100)	(L773101)
B	Double Seal	Complete	-----	L194448	L194449
		Pos 5.2 Spring	AISI 316		
		Pos 5.3 Pressure ring	AISI 316		
		Pos 5.9 Seal housing	AISI 316		
		Pos 5.11 Pressure ring	AISI 316		
5.10		O-ring	EPDM	L772470	L771362
5.12		4 Screws M6x10	AISI 316	L770496	L770496
5.13	only W+50/8	4 Washer M6	AISI 316	L701477	-----
5.14		4 Screws M8x30	AISI 316	-----	-----
5.15		4 Screws M8x50	AISI 316	-----	-----

## 7.4 Shaft Seal

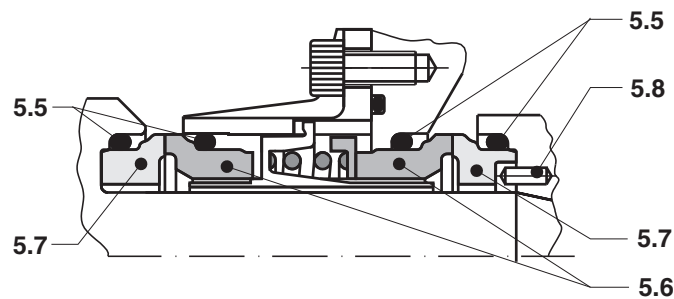
W+

### 7.4.2 Face Kit

A. Single Seat Ø25+Ø35



B. Double Seat Ø25+Ø35



secondary seal

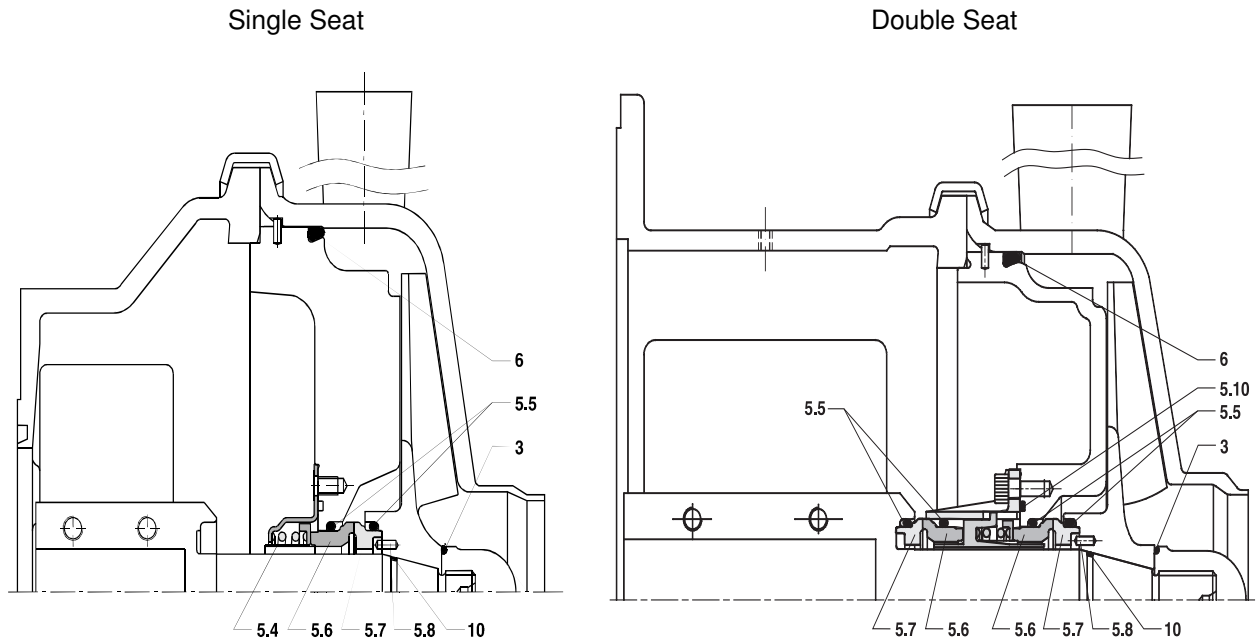
primary seal

Shaft Seal				Shaft Size		
Pos	Description	Items	Material	Ø25	Ø35	Part No.
A	Face Kit SiC/Car EPDM	Complete Pos 5.5 2 off O-rings Pos 5.6 Stationary seal Pos 5.7 Rotary seal Pos 5.8 Pin	EPDM Car SiC AISI316L	L772461	L772466	
B						
A	Face Kit SiC/Car FPM (Viton)	Complete Pos 5.5 2 off O-rings Pos 5.6 Stationary seal Pos 5.7 Rotary seal Pos 5.8 Pin	FPM (Viton) Car SiC AISI316L	L772462	L772467	
B						
A	Face Kit SiC/SiC EPDM	Complete Pos 5.5 2 off O-rings Pos 5.6 Stationary seal Pos 5.7 Rotary seal Pos 5.8 Pin	EPDM SiC SiC AISI316L	L772463	L772468	
B						
A	Face Kit SiC/SiC FPM (Viton)	Complete Pos 5.5 2 off O-rings Pos 5.6 Stationary seal Pos 5.7 Rotary seal Pos 5.8 pin	FPM (Viton) SiC SiC AISI316L	L772464	L772469	
B						

B All combination of material are available – APV recommend the use of SiC/Car as secondary seal

## 7.5 Seal Kit Comp.

W+



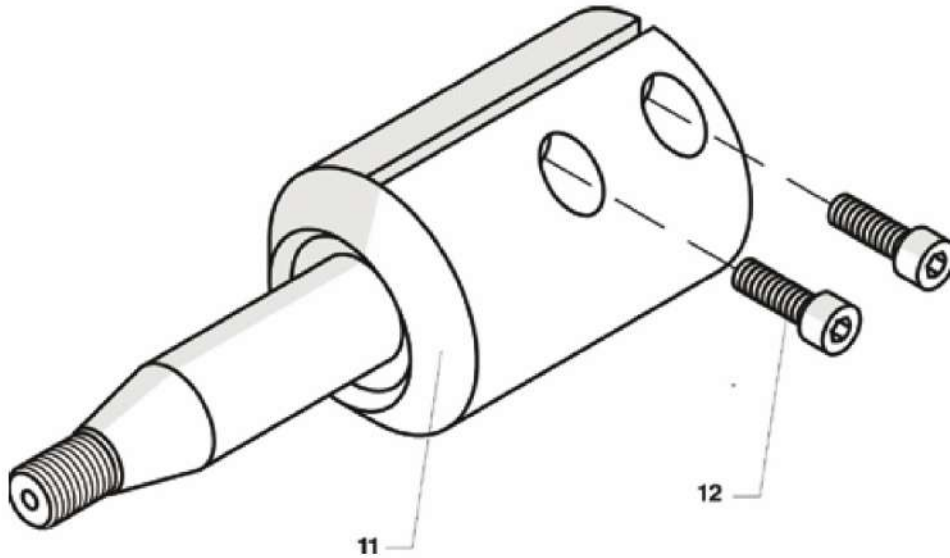
Seal Kit , Single		Pump Type							
		W+10/8	W+22/20	W+30/80	W+25/210	W+35/35	W+35/55	W+30/120	
Pos.	Material	Part No.							
3, 6, 10, 5.4, 5.5, 5.6, 5.7, 5.8	SiC/SiC - EPDM	L800875	L800800	L800801	L800802	L800801	L800801	L800807	
	SiC/Car - EPDM	L800877	L800915	L800916	L800917	L800916	L800916	L800922	
	SiC/SiC - FPM	L800871	L800813	L800814	L800815	L800814	L800814	L800820	
	SiC/Car - FPM	L800873	L800928	L800929	L800930	L800929	L800929	L800935	
		<b>W+50/8</b>	<b>W+55/35</b>	<b>W+55/60</b>	<b>W+60/110</b>	<b>W+65/350</b>	<b>W+70/40</b>	<b>W+80/80</b>	<b>W+110/130</b>
3, 6, 10, 5.4, 5.5, 5.6, 5.7, 5.8	SiC/SiC - EPDM	L800876	L800806	L800807	L800808	L800809	L800810	L800811	L800812
	SiC/Car - EPDM	L800878	L800921	L800922	L800923	L800924	L800925	L800926	L800927
	SiC/SiC - FPM	L800872	L800819	L800820	L800821	L800822	L800823	L800824	L800825
	SiC/Car - FPM	L800874	L800934	L800935	L800936	L800937	L800938	L800939	L800940

Seal Kit , Double		Pump Type							
		W+10/8	W+22/20	W+30/80	W+25/210	W+35/35	W+35/55	W+30/120	
Pos.	Material	Part No.							
3, 6, 10, 4x 5.5, 2x 5.6, 2x 5.7, 5.8, 5.10	SiC/SiC - SiC/Car EPDM	L808560	L808561	L808563	L808562	L808563	L808563	L808568	
	SiC/Car - SiC/Car EPDM	L808574	L808575	L808577	L808576	L808577	L808577	L808582	
	SiC/SiC - SiC/Car FPM	L808588	L808589	L808591	L808590	L808591	L808591	L808596	
	SiC/Car - SiC/Car FPM	L808602	L808603	L808605	L808604	L808605	L808605	L808610	
		<b>W+50/8</b>	<b>W+55/35</b>	<b>W+55/60</b>	<b>W+60/110</b>	<b>W+65/350</b>	<b>W+70/40</b>	<b>W+80/80</b>	<b>W+110/130</b>
3, 6, 10, 4x 5.5, 2x 5.6, 2x 5.7, 5.8, 5.10	SiC/SiC - SiC/Car EPDM	L808566	L808567	L808568	L808569	L808570	L808571	L808572	L808573
	SiC/Car - SiC/Car EPDM	L808580	L808581	L808582	L808583	L808584	L808585	L808586	L808587
	SiC/SiC - SiC/Car FPM	L808594	L808595	L808596	L808597	L808598	L808599	L808600	L808601
	SiC/Car - SiC/Car FPM	L808608	L808609	L808610	L808611	L808612	L8086130	L808614	L808615

Seal Kit , O-rings		Pump Type						
		W+10/8	W+22/20	W+30/80	W+25/210	W+35/35	W+35/55	W+30/120
Pos.	Material	Part No.						
3, 6, 10	EPDM	L808760	L808761	L808762	L808763	L808762	L808762	L808765
	FPM (Viton)	L808774	L808775	L808776	L808777	L808776	L808776	L808779
		<b>W+50/8</b>	<b>W+55/35</b>	<b>W+55/60</b>	<b>W+60/110</b>	<b>W+65/350</b>	<b>W+70/40</b>	<b>W+80/80</b>
3, 6, 10	EPDM	L808766	L808767	L808765	L808769	L808770	L808771	L808773
	FPM (Viton)	L808780	L808781	L808779	L808783	L808784	L808785	L808786

## 7.6 Shaft

W+



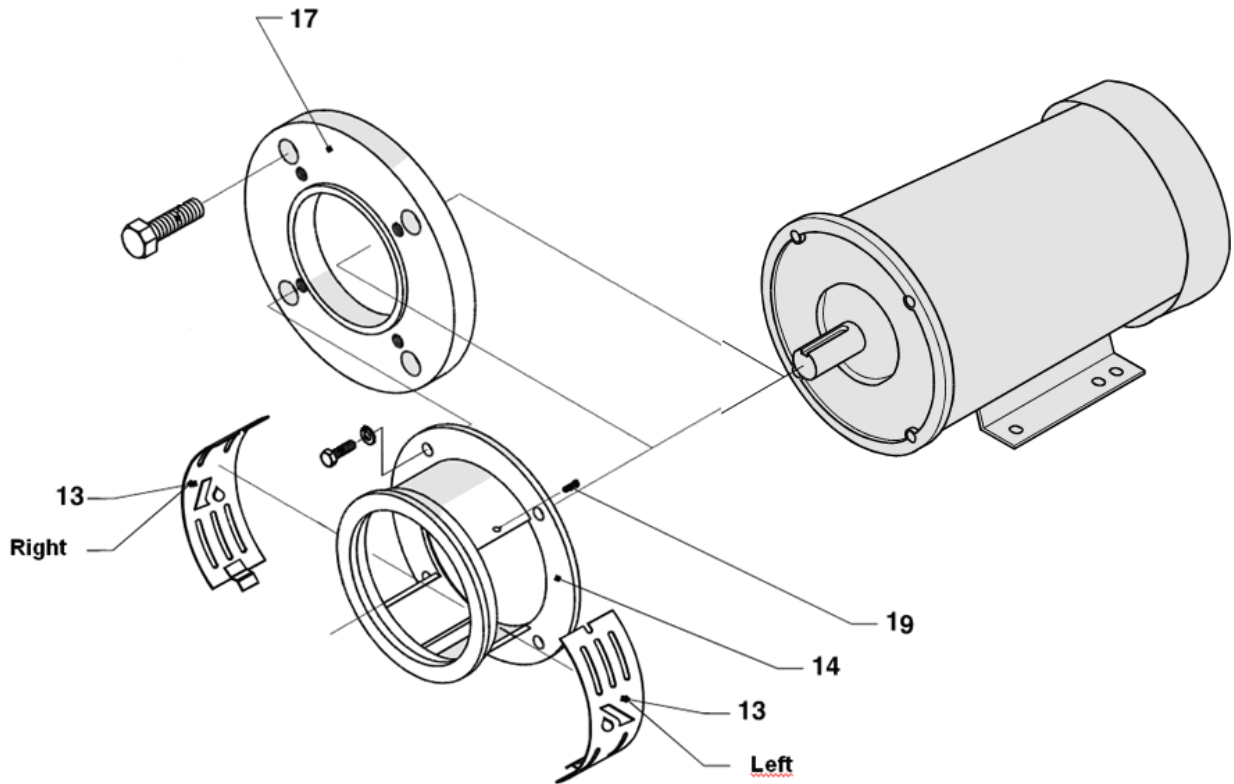
Pump Type	Motor								
	143-145TC	182-184TC	213-215TC	254-256TC	284-286TSC	324-326TSC	364-365TSC	405TSC	
	Pos. 11 Shaft Ø35								
W+25/210	-----	-----	-----	-----	L267342	L267343	L267343	-----	
W+30/120	L267338	L267339	L267340	L267341	L267342	L267343	-----	-----	
W+55/60	L267338	L267339	L267340	L267341	L267342	L267343	-----	-----	
W+60/110	-----	L267339	L267340	L267341	L267342	L267343	L267343	-----	
W+65/350	-----	-----	L267340	L267341	L267342	L267343	L267343	L267357	
W+70/40	L267338	L267339	L267340	L267341	L267342	L267343	-----	-----	
W+80/80		L267339	L267340	L267341	L267342	L267343	L267343	L267357	
W+110/130	-----	-----	L267340	L267341	L267342	L267343	L267343	L267357	
	Pos. 12								
Qty.	2	2	2	2	2	2	2	2	
Screw	L771199	L771199	L771199	L771199	L771199	L701700	L701700	L701700	

Pump Type	Motor				
	56C	143-145TC	182-184TC	213-215TC	254-256TC
	Pos. 11 Shaft Ø25				
W+10/8	267353	L267354	-----	-----	-----
W+22/20	L237332	L237333	L237334	L237335	-----
W+30/80	-----	L237333	L237334	L237335	L267336
W+35/35	L237332	L237333	L237334	L237335	L267336
W+35/55	L237332	L237333	L237334	L237335	L267336
W+50/8	-----	L267354	L267355	L267336	-----
W+55/35	L237332	L237333	L237334	L237335	L267336
	Pos. 12				
Qty.	2	2	2	2	2
Screw	L701942	L771199	L771199	L771199	L771199



## 7.7 Extension Frame and Shaft Guard

W+



Pump Type	Motor								
	56C	143-145TC	182-184TC	213-215TC	254-256TC**	284-286TSC	324-326TSC	364-365TSC	405TSC
	Pos. 14 Extension Frame								
W+10/8	L273976#	L273976#	-----	-----	-----	-----	-----	-----	-----
W+22/20	L260973#	L260973#	L260973#*	-----	-----	-----	-----	-----	-----
W+30/80	L260974	L260974	L260975	L260975	L260975	-----	-----	-----	-----
W+25/210	-----	-----	-----	L168688	L168688	L168689	L168690	L168690	-----
W+35/35	L260974	L260974	L260975	L260975	L260975	-----	-----	-----	-----
W+35/55	L260974	L260974	L260975	L260975	L260975	-----	-----	-----	-----
W+30/120	-----	L260976	L260977	L260977	L260977	L260978	L260978***	-----	-----
W+50/8	-----	L267363	L267364	L267364	-----	-----	-----	-----	-----
W+55/35	L260976	L260976	L260977	L260977	L260977	-----	-----	-----	-----
W+55/60	-----	L260976	L260977	L260977	L260977	L260978	L260978***	-----	-----
W+60/110	-----	-----	L260979	L260979	L260979	L260980	L260980***	L260980***	-----
W+65/350	-----	-----	-----	L168691	L168691	L168692	L168693	L168693	L168693
W+70/40	-----	L260982	L168680	L168680	L168680	L168681	L168681***	-----	-----
W+80/80	-----	-----	L260981	L260981	L260981	L168683	L168682	L168682	L168682
W+110/130	-----	-----	-----	L168684	L168684	L168685	L168686	L168686	L168686

# integrated in back plate pos. 7b

	Pos. 17 Flange Adapter								
*	-----	-----	*L267095	-----	-----	-----	-----	-----	-----
**	-----	-----	-----	-----	**L267096	-----	-----	-----	-----
***	-----	-----	-----	-----	-----	-----	***L267097	***L267097	-----

**7.7 Extension Frame and Shaft Guard**

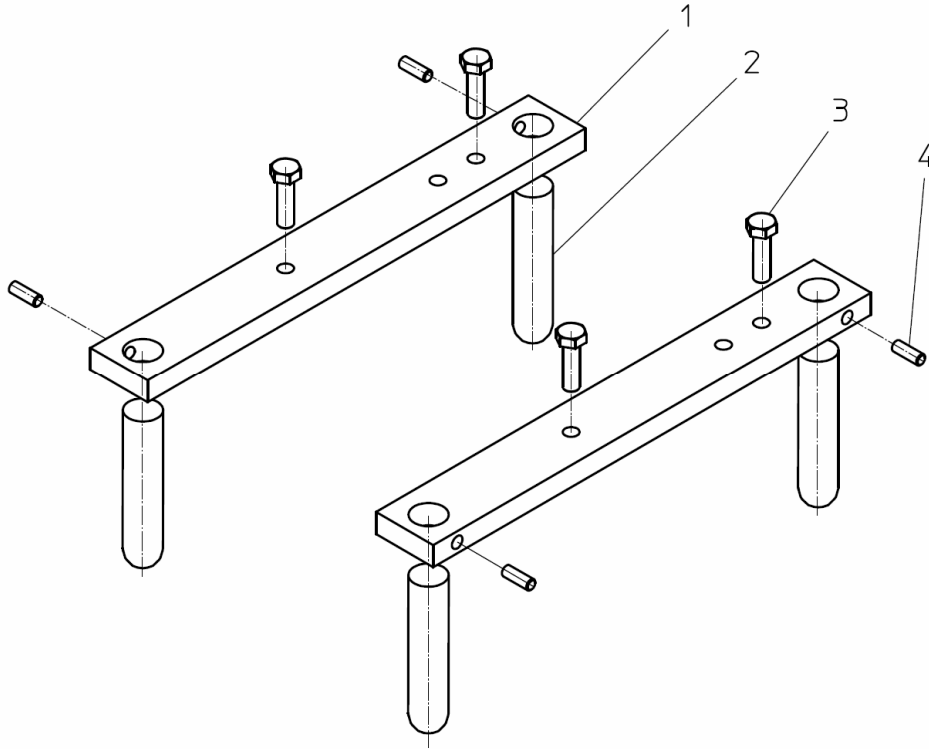
**W+**

Pump Type	Qty	Motor								
		56C	143-145TC	182-184TC	213-215TC	254-256TC	284-286TSC	324-326TSC	364-365TSC	405TSC
		Pos. 13 Shaft Guard								
W+10/8	2 R/L	L188815	L188815							
W+22/20	2 R/L	L188334	L188334	L188334						
W+30/80 W+35/35 W+35/55	1 R	L188333	L188333							
	1 L	L188285	L188285							
	2 R/L			L188653	L188653	L188653				
W+25/210	2 R/L				L279838	L279838	L188812	L188812	L188812	
W+30/120	1 R		L188339							
	1 L		L188597							
	2 R/L			L188653	L188653	L188653	L188811	L188811		
W+50/8	1 R		L188339							
	1 L		L188597							
	2 R/L			L188653	L188653					
W+55/35	1 R	L188339	L188339							
	1 L	L188597	L188597							
	2 R/L			L188653	L188653	L188653				
W+55/60	1 R		L188339							
	1 L		L188597							
	2 R/L			L188653	L188653	L188653	L188811	L188811		
W+60/110	1 R			L188819	L188819	L188819				
	1 L			L188822	L188822	L188822				
	2 R/L						L188816	L188816	L188816	
W+65/350	2 R/L				L188653	L188653	L188653	L188817	L188817	L188817
W+70/40	1 R		L188284	L188827	L188827	L188827				
	1 L		L188283	L188828	L188828	L188828				
	2 R/L						L188825	L188825		
W+80/80	1 R			L804738	L804738	L804738	L804753	L188823	L188823	L188823
	1 L			L804739	L804739	L804739	L188826	L188824	L188824	L188824
	2 R/L									
W+110/130	2 R/L				L188653	L188653	L188811	L188812	L188812	L188812

Pos	Qty.	Motor								
		56C	143-145TC	182-184TC	213-215TC	254-256TC	284-286TSC	324-326TSC	364-365TSC	405TSC
		Part No.								
19	2	L700420	L700420	L700420	L700420	L700420	L700420	L700420	L700420	L700420

**7.8 Frame**

**W+**



Pos	Qty	Description	Motor								
			56C	143-145TC	182-184TC	213-215TC	254-256TC	284-286TSC	324-326TSC	364-365TSC	405TSC
--	--	Frame cpl.	L114365	L110256	L110255	L110254	L110253	L110252	L110251	L110251A	
1	2	Side bar	L114364	L110262	L110261	L110260	L110259	L110258	L110257	L110257A	
2	4	Leg 3/4"	L110264				-----				
2	4	Leg 1"	-----				L110263				
3	4	Screw	5/16-18 x 3/4		3/8-16 x 1		1/2-13 x 1 1/8		5/5-11 x 1 1/4		
4	2	Screw	1/4-20 x 1/2 SQ.HD				1/4-20 x 5/8 SQ.HD				







Your local contact:



SPX Flow Technology  
611 Sugar Creek Road  
Delavan, WI 53115  
Phone: 1-800-252-5200

For more information about our worldwide locations, approvals, certifications, and local representatives, please visit [www.spxft.com](http://www.spxft.com).

SPX reserves the right to incorporate our latest design and material changes without notice or obligation. Design features, materials of construction and dimensional data, as described in this bulletin, are provided for your information only and should not be relied upon unless confirmed in writing. Certified drawings are available upon request.